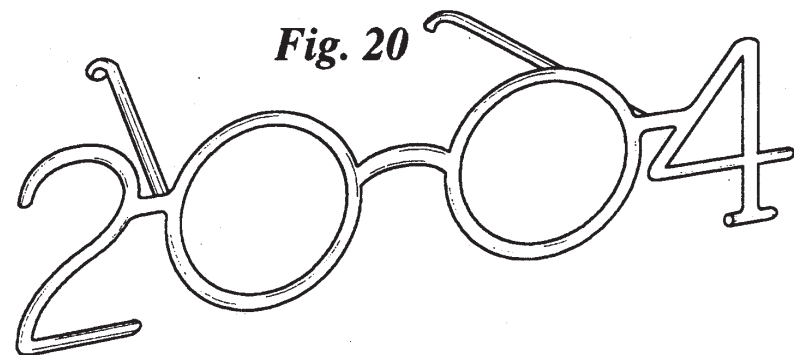
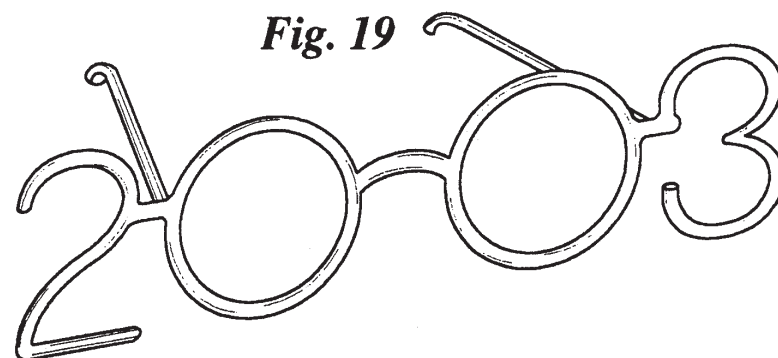
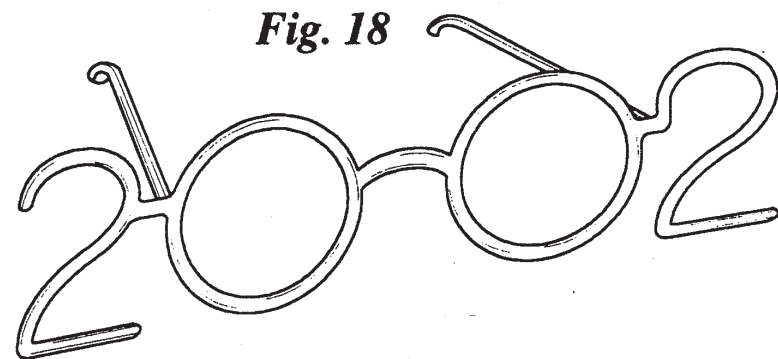
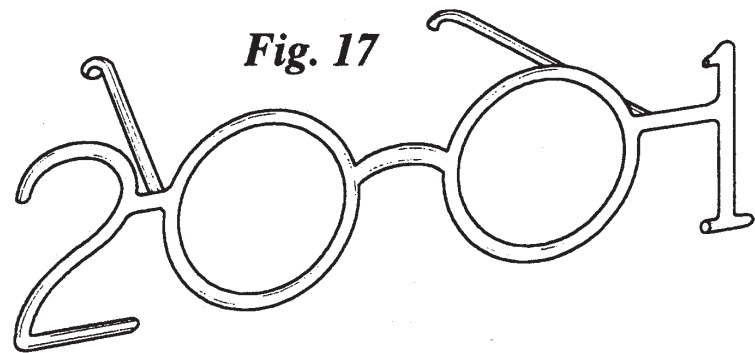


U.S. PATENT CALENDAR 2024

SUITER|SWANTZ
intellectual property

“Transforming Innovation into Assets”



#D335,134S NOVELTY EYEGLASS FRAMES

Richard E. Scalfani, Peter S. Cicero
Patented April 27, 1993

Nothing says “party” or “nostalgia” quite like these annual novelty eyeglass frames! The inspiration and popularity arose from the two digits in the middle. They were suitable for looking through and mounting lenses.

Despite the lack of a circle to work with, sellers solve the challenge year after year, finding ways to incorporate lenses.

Here at Suiter Swantz IP, we are *looking* forward to a prosperous New Year. We wish you and your family a happy and healthy New Year!

SUITER|SWANTZ
intellectual property

www.suiter.com

402.496.0300

JANUARY 2024

SUNDAY	MONDAY	TUESDAY	WEDNESDAY	THURSDAY	FRIDAY	SATURDAY
	1 New Year's Day	2	3 "PRESSURE RELIEF SYSTEM FOR ESPRESSO MAKER" #9,532,677 LUKE KELLY, WINSTON FLIESS 2017	4	5 "METHOD AND MEANS FOR EXTENDING THE SHELF LIFE OF FOOD" #9,926,523 LESLIE LEECH, SHAWN PALANDRI - 2016	6
7 "MIXED-REALITY KICK TRACKING AND SIMULATION" #10,525,324 THOMAS KUDIRKA, PATRICK BENNETT - 2020	8	9 "THREE DIMENSIONAL DISPLAYS" #9,866,822 JAMES P. MITCHELL 2018	10	11	12	13
14	15 Martin Luther King Jr. Day	16	17 "BREWING APPARATUS" #11,553,812 MUDAR ABU-SAYMEH, BRIAN MILLS, JUSTIN JONES - 2023	18	19 "ELECTRICAL AUTOMOBILE" #750,102 THOMAS EDISON - 1904	20
21	22 "MULTI-CHANNEL PHOTOMULTIPLIER TUBE ASSEMBLY" #10,186,406 DEREK MACKAY - 2019	23	24 "UNIVERSAL DATA FORWARDING SYSTEM AND METHOD" #8,104,045 JOHN YANOSY JR. - 2012	25	26	27 "ELECTRO-MAGNETIC MOTOR" #445,207 NIKOLA TESLA - 1891
28 "HYBRID ELECTRIC BICYCLE" #D873,710 RICHARD KRONFELD - 2020	29 "SYNERGISTIC COMPOSITIONS USEFUL AS ANTI-TUMOR AGENTS" #6,342,485 WILLIAM H. GMEINER - 2002	30	31			

#D711,278 HEART-SHAPED LOCKET

Zyad M. Kadri, Christian H. Weems

Patented August 19, 2014

Locket historically held photographs, trinkets, mementos, and sometimes perfume. Typically, the gifter would fill the locket with a picture of themselves or something for the wearer to remember them by. Some lockets, like the one pictured here, have a see-through front to be able to see the contents inside.

What a sweet way to let a loved one know they are cherished and adored!

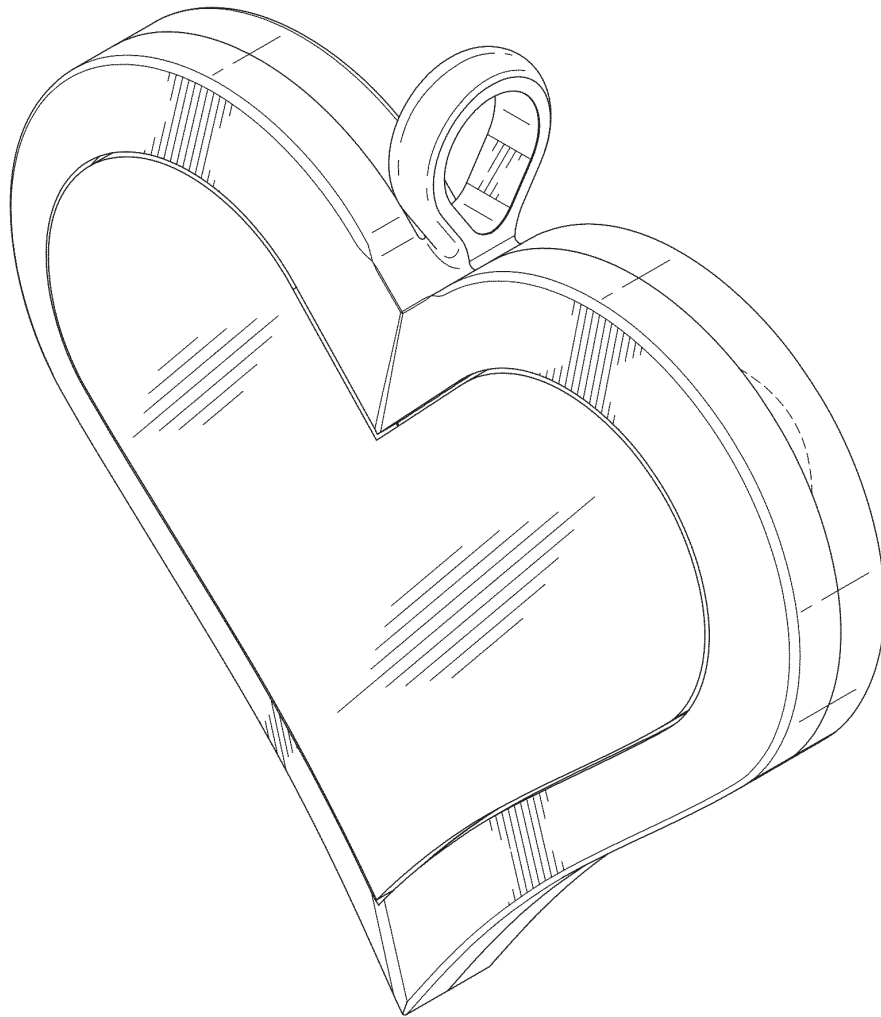


FIG. 9

SUITER|SWANTZ
intellectual property

www.suiter.com

402.496.0300

FEBRUARY 2024

SUNDAY	MONDAY	TUESDAY	WEDNESDAY	THURSDAY	FRIDAY	SATURDAY
				1 "HORSE TRAINING DEVICE" #11,235,967 CASEY D. HURLBURT - 2022	2 "GUITAR BODY" #D748,721 PABLO V. OLIVARES - 2016	3
4	5	6	7	8 "SPACE SUIT HELMET HAVING WAVEGUIDE DISPLAY" #11,243,400 CHRISTOPHER KEITH - 2022	9 "SYSTEM AND METHOD FOR DETECTING CRACKS IN A WAFER" #9,255,894 WILLIAM VANHOOMISSEN, SEAN WHEELER - 2016	10
11 National Inventor's Day	12 "MIXED REALITY GOLF SIMULATION AND TRAINING SYSTEM" #10,204,456 THOMAS KUDIRKA, PATRICK J. BENETT - 2019	13	14 Valentine's Day "CHARGER APPARATUS" #D778,834 SCOTT M. HOLWEGER, DANIEL R. BARSELL, DAVID A. BIERE - 2017	15	16	17
18	19 Presidents' Day	20	21	22 "IMPROVEMENTS IN OR RELATING TO TEMPERATURE-CONTROL" #GB939,072 FREDERICK M. JONES - 1960	23 "RETRACTABLE PORTABLE ELECTRONIC DEVICE HOLDER" #10,926,877 STEPHEN A. PUGLISI - 2021	24
25 "CANNULA AND NEEDLE ASSEMBLY" #10,569,027 GAYLE MISLE - 2020	26 "METHOD AND APPARATUS FOR INSPECTION OF SCATTERED HOT SPOT AREAS ON A MANUFACTURED SUBSTRATE" #10,217,605 SEAN X. WU, KINI VIVEKANAND - 2019	27	28	29		

#D475,180 IRISH GHILLIE DANCE SHOES

Anthony Cosentino
Patented June 3, 2003

Popularly known as Irish river dancing, Irish stepdance has roots in ancient Celtic traditions. It is performed solo or in groups of even numbers for entertainment and competition. Part of the costume for Irish stepdance includes soft shoes, or ghillies, worn by the female performers and are black leather lace-up shoes similar to ballet slippers. Conversely, there are hard shoes that the male performers wear to add audible differences in the dancers to enhance the performance. The ghillie shoes are soft and light enough for the performers to dance at high speeds without being weighed down to keep their posture perfect.

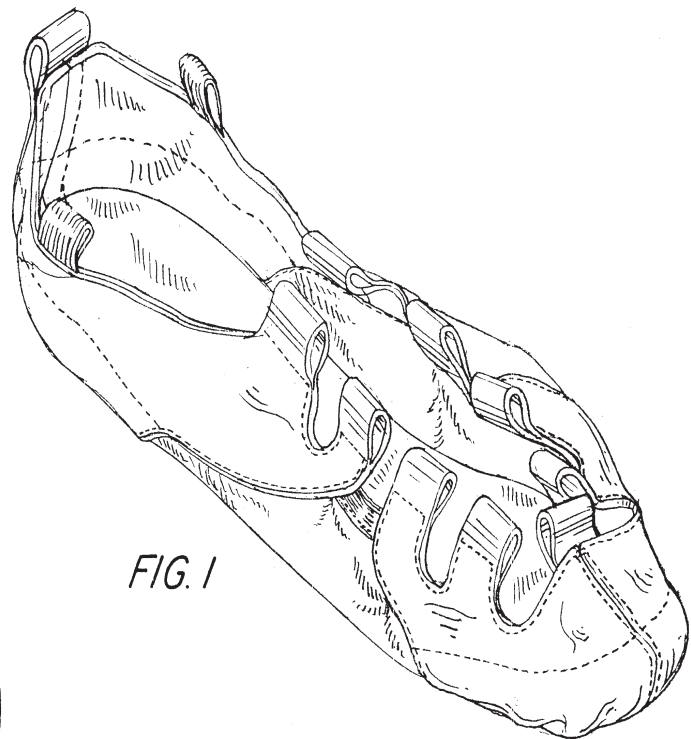


FIG. 1



FIG. 2

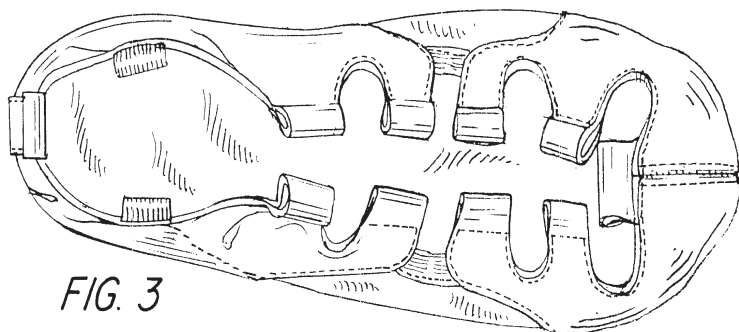


FIG. 3

SUITER|SWANTZ
intellectual property

www.suiter.com

402.496.0300

MARCH 2024

SUNDAY	MONDAY	TUESDAY	WEDNESDAY	THURSDAY	FRIDAY	SATURDAY
					1 "DIVER'S SUIT" #1,370,316 HARRY HOUDINI - 1921	2
3	4 "TABLET HOLDER AND TABLET STOWAGE SYSTEM" #8,665,584 TRACY N. PENCE - 2014	5	6	7 "SURGICAL DEVICE WITH VARIABLE SIZE WIRE/PIN GRIPPING MECHANISM" #9,585,676 ROBERT SCOTT RUSSO, JOHN H. PASCALOFF, ROBERT W. MCKEMIEL - 2017	8	9 "FREESTEERING SYSTEM FOR MOBILE MACHINES" #10,940,883 CHAD M. SCHAEING, THOMAS C. FARR - 2021
10 "INFLATABLE WALKING APPARATUS" #8,974,262 LEROY L. PETERSON - 2015	11 "CELL PHONE AUDIO/VISUAL IN-FLIGHT ENTERTAINMENT SYSTEM" #7,343,157 JAMES P. MITCHELL - 2008	12	13	14	15	16
17 St. Patrick's Day	18	19 "DEPTH AND CHROMA INFORMATION BASED COALESCENCE OF REAL WORLD AND VIRTUAL WORLD IMAGES" #10,235,806 DANILO P. GROPPA, LOYAL J. PYCZYNSKI - 2019	20 "CANDY BAR COVER" #D656,039 DEVARA SCHAFFER - 2012	21	22	23
24 Easter	25	26	27	28 "MOTION AND FOCUS BLUR REMOVAL FROM PATTERN IMAGES" #9,607,369 RAM SIVARAMAN - 2017	29	30 "HIGH RESOLUTION ELECTRON ENERGY ANALYZER" #10,964,522 XINRONG JIANG, CHRISTOPHER SEARS, NIKOLAI CHUBUN - 2021
31						

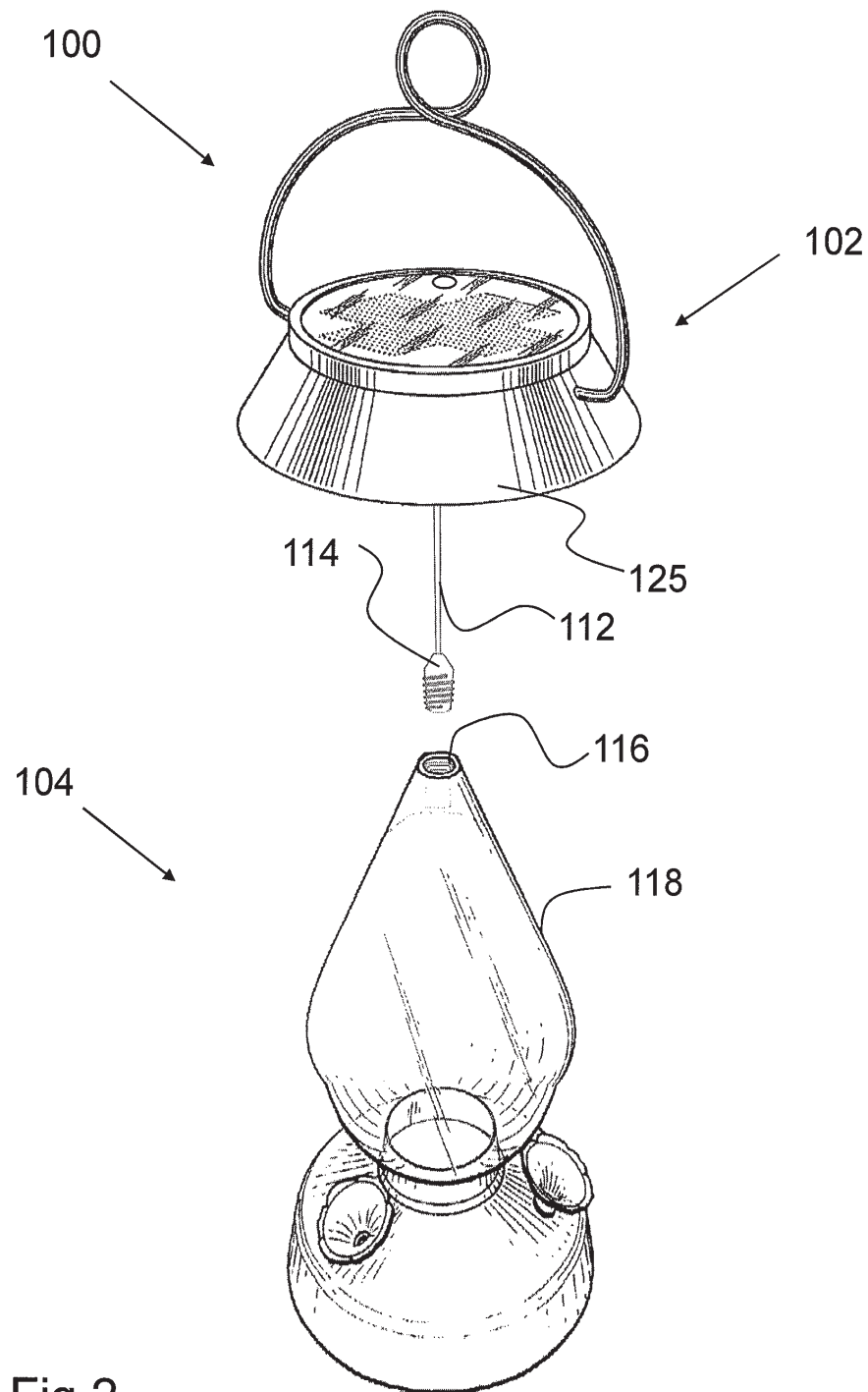


Fig 2.

#7,448,347 ILLUMINATED HUMMINGBIRD FEEDER

Simon Nicholas Richmond
Patented November 11, 2008

With spring in full bloom, flowers attract all types of animals, including birds. Some people place hummingbird feeders in their yards to attract these tiny, hovering birds and fill the decanter with a nectar mixture that mimics the nectar of flowers so the birds can enjoy a sweet treat through the flower-shaped feeding hole.

This hummingbird feeder has a solar-powered light source to illuminate the feeder so the hummingbirds can find it and eat at any time of day. These birds must look majestic when their iridescent feathers are illuminated during twilight.

SUITER|SWANTZ
intellectual property

www.suiter.com

402.496.0300

APRIL 2024

SUNDAY	MONDAY	TUESDAY	WEDNESDAY	THURSDAY	FRIDAY	SATURDAY
	1 "IMPROVEMENTS IN OR CONNECTED WITH FLYING MACHINES" #GB190,824,076 WRIGHT BROTHERS - 1909	2	3	4	5	6 "MULTIPLE EXPOSURE LITHOGRAPHY TECHNIQUE AND METHOD" #7,691,549 LANCE A. GLASSER - 2010
7	8	9	10 "HIGH POWERED BROADBAND LIGHT SOURCE" #9,941,655 ANANT CHIMMALGI, RAHUL YADAV, ANATOLY SHCHEMLININ, ILYA BEZEL, MATTHEW DERSTINE - 2018	11 "SCOOP HAVING A DEFORMABLE HANDLE" #D982,986 NEDRA MARION - 2023	12	13
14	15	16 "SINGLE CARD MULTI MODE LCD BACKLIGHT" #8,419,203 BRIAN W. WALKER, DONALD E. MOSIER - 2013	17 "GPS MUNITIONS/ARTILLERY ANTI-JAMMING ARRAY WITH MULTI-BAND CAPABILITY" #8,159,403 DANIEL N. CHEN, JAMES B. WEST, LEE M. PAULSEN - 2012	18	19	20
21 "RAIN GAUGE" #9,010,182 MATTHEW S. GLENN - 2015	22 Earth Day	23	24	25 "SEMICONDUCTOR DEVICE-AND-LEAD STRUCTURE" #2,981,877 ROBERT NOYCE - 1961	26 World IP Day	27
28 "FROTH WAND FOR ESPRESSO MAKER" #9,016,670 LUKE KELLY, KEITH R. DEBALD 2015	29 "ELECTRIC GENERATOR UNIT" #8,708,858 WENXIU LI, ZHENQUAN WANG 2014	30				

Oct. 25, 1949.

G. A. GENTRY
ROTARY GRASS CUTTER

2,485,729

Filed Jan. 3, 1946

3 Sheets-Sheet 1

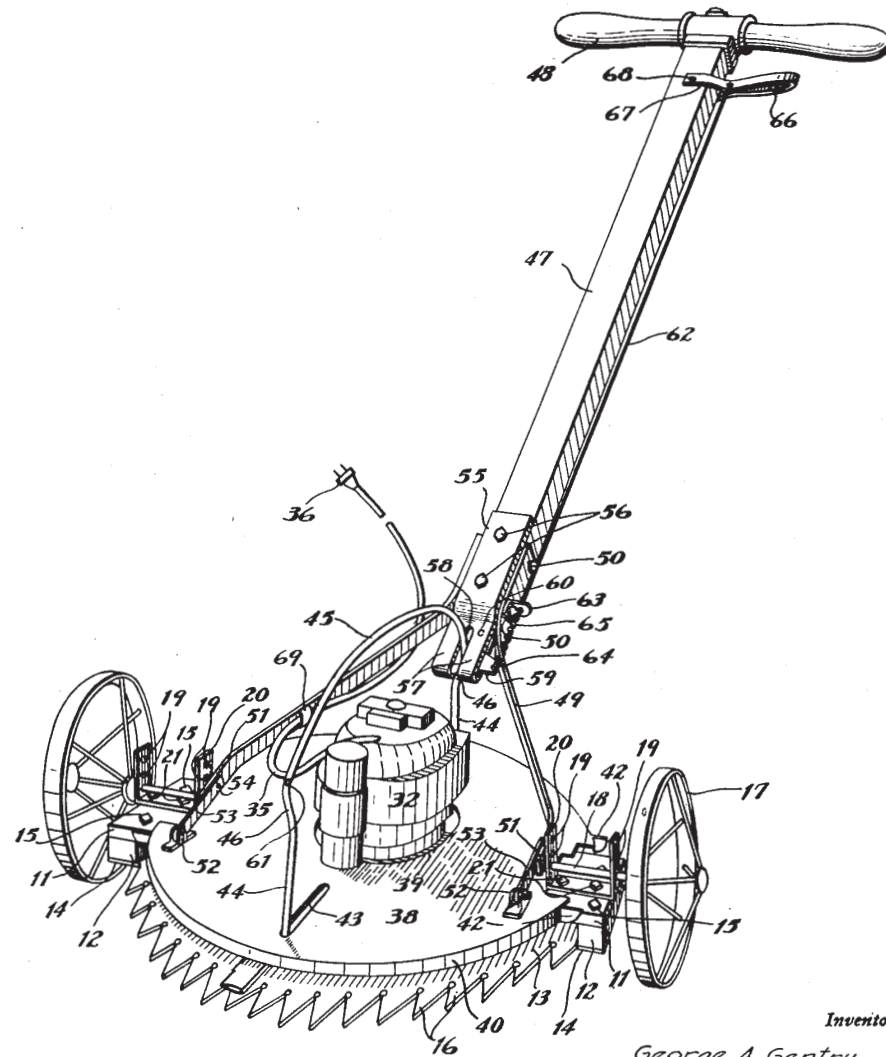


Fig. 1

Inventor

George A. Gentry

By *Clarence A. O'Brien*
and Harvey B. Jacobson
Attorneys

#2,485,729 ROTARY GRASS CUTTER

George A. Gentry

Patented October 25, 1949

Lawn work is never-ending throughout the majority of the year. Through innovation and perserverance to make everyday tasks easier, lawnmowers have evolved from rotary cutters, like the one pictured, to autonomous lawnmowers. Lawnmowers were man- or animal-driven for decades until petrol- and gasoline-powered models were manufactured. Additionally, rotary mowers (as we know mowers today) were only conceived once engines were small but mighty enough to run the blades at sufficient speeds. Now, there are rotary mowers that are completely electrical and even cordless to run only on batteries.

SUITER|SWANTZ

intellectual property

www.suiter.com

402.496.0300

MAY 2024

SUNDAY	MONDAY	TUESDAY	WEDNESDAY	THURSDAY	FRIDAY	SATURDAY
			1	2 "METHODS FOR PAVING A TRAIL BETWEEN OBSTACLES" #9,637,872 SCOTT PEDERSEN JAMES HAYWARD - 2017	3	4 "POLE PRUNER" #7,937,839 JEFFREY G. FIDGEN, SCOTTY D. BOLLING - 2011
5	6	7 "PASSIVATION ON NONLINEAR OPTICAL CRYSTALS" #10,283,366 YUNG-HO CHUANG, VLADIMIR DRIBINSKI - 2017	8	9 "SYSTEMS AND METHODS FOR AUTONOMOUS VEHICLE SYSTEMS TESTING" #11,645,434 ANGUS L. MCLEAN, JACLYN A. HOKE, SCOTT S. REDIGER, JOSHUA R. BERTRAM - 2021	10	11
12 Mother's Day	13 "TOUCH PANEL SYSTEM AND PROCESS" #8,723,809 TRACY BARNIDGE, PAUL NEMETH, JAMES SAMPICA, SANDRA DUDLEY, GARY PRIOR 2008	14	15	16 "PET TUG TOY" #5,415,132 PATRICIA A. MEYER - 1995	17	18
19	20	21	22 "REAL TIME CONTROL AND MANAGEMENT OF TDMA RADIO" #8,184,572 WAYNE KRAUS, DANIEL ZANGE, KARL HOECH, ROBERT FRANK - 2012	23 "HOBBY PROJECTILE" #11,654,349 MATTHEW ANDERSEN - 2023	24	25 "METHOD FOR PRODUCTION OF PENICILLIN" #2,442,141 ANDREW J. MOYER - 1948
26	27 Memorial Day	28	29	30 "BROADBAND ILLUMINATION TUNING" #11,662,562 ANDREW HILL, AVI ABRAMOV, AMIT SHAKED, VALERY GRAMIDER - 2021	31	

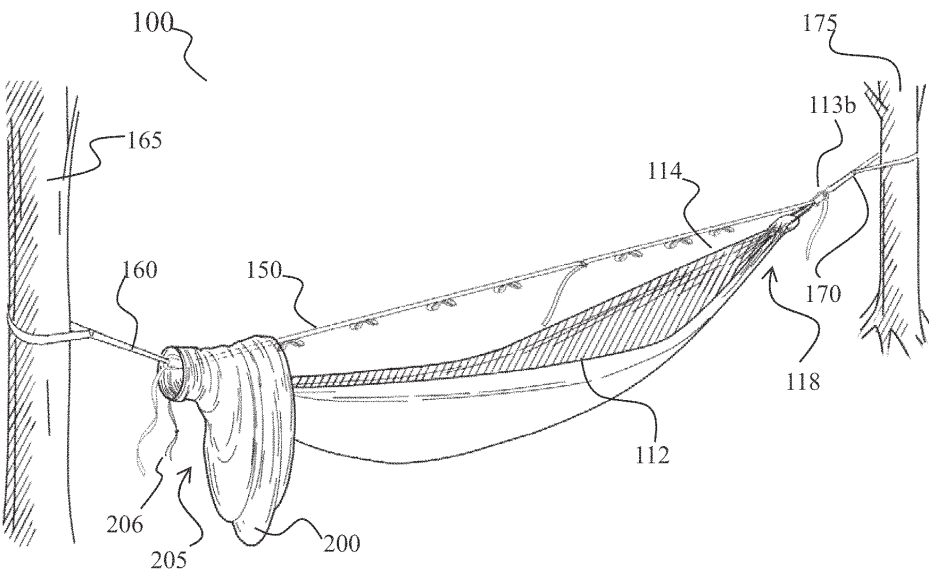


FIG. 3

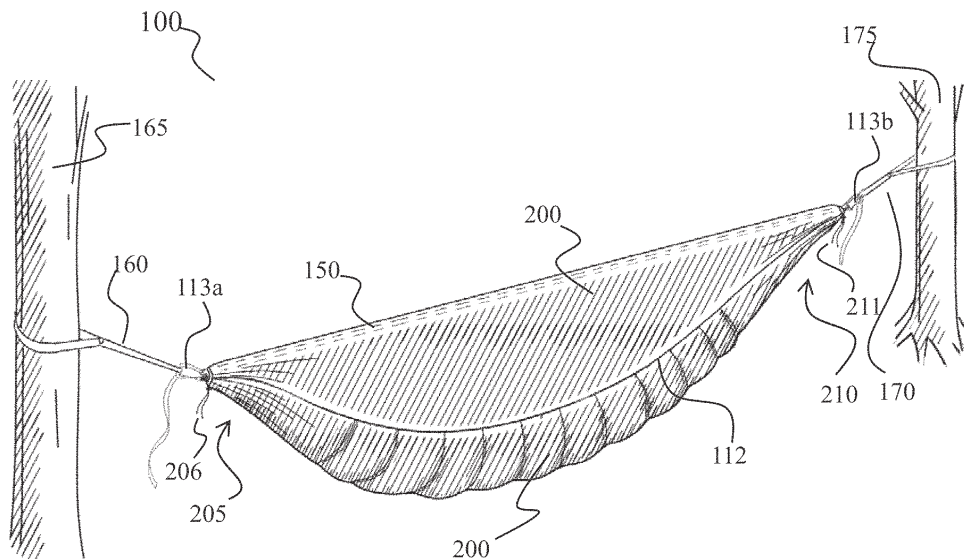


FIG. 4

#10,925,381 HAMMOCK SHELL SYSTEM

John Lystrup, Casey Messick,
Mary Alice Hunter
Patented February 23, 2021

June signals the end of the school year and the start of summer vacations. As some enjoy the great outdoors from the comfort of their backyard and as others enjoy roughing it, both can still relax while enjoying the feeling of a swaying hammock in the summer breeze. If someone uses a hammock while camping like the one pictured, it comes with a shell that allows for weather and bug resistance to maintain comfort.

SUITER|SWANTZ
intellectual property

www.suiter.com

402.496.0300

JUNE 2024

SUNDAY	MONDAY	TUESDAY	WEDNESDAY	THURSDAY	FRIDAY	SATURDAY
						1
2	3	4 "ICE-CREAM EJECTOR" #5,020,698 JIMMY L. CROSSLEY - 1991	5	6 "INSTRUMENTED SUBSTRATE APPARATUS" #11,668,601 ROBERT D. TAS, EARL JENSEN 2021	7	8
9 "MANUFACTURE OF SOFT SURFACE CURED CHEESE" #2,641,545 JOHN KRAFT - 1953	10	11	12 "LED LIGHTING ASSEMBLY" #9,999,109 LUIS SAM, ERIC JOHANNESSEN, BRENDAN UPTON - 2018	13	14 Flag Day "WATER SLIDE" #D954,888 KERRY DOUGAN, MATT FAMIGLETTI - 2022	15
16 Father's Day	17 "PAW SHAPED PICTURE FRAME" #D571,108 DAVID C. SLABAUGH - 2008	18	19 Juneteenth	20	21 "HIGH POWER DAC POWER AMPLIFIER" #7,965,211 DON L. LANDT, ALLEN W. JONES, SCOTT ZOGG - 2011	22
23 Int'l Women in Engineering Day 30	24	25 "COOKED MEAT SHREDDING APPARATUS" #8,469,299 ROBERT MANDEVILLE - 2013	26	27 "THREE-DIMENSIONAL BRIDGE DECK FINISHER" #11,686,053 MATTHEW MORRISON - 2023	28	29

July 22, 1930.

T. G. HITT

1,770,921

FIRECRACKER COMBINATION

Filed Oct. 23, 1929

Fig. 1.

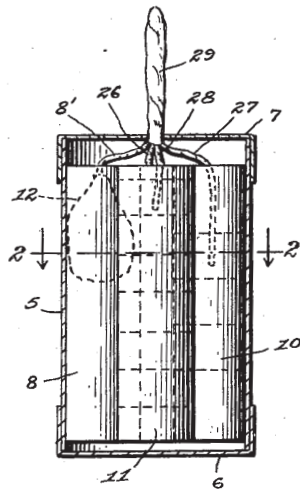


Fig. 2.

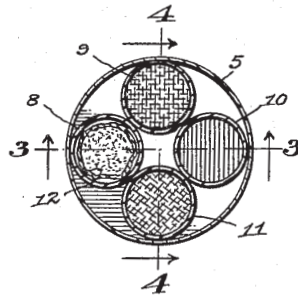
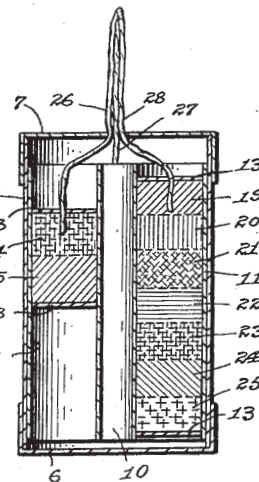
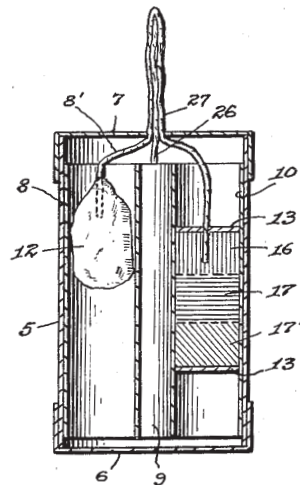


Fig. 4.

Fig. 3.



Inventor

Thomas G. Hitt

G. Ward Kemp

Attorney

#1,770,921 FIRECRACKER COMBINATION

Thomas G. Hitt

Patented July 22, 1930

Firecrackers have Chinese origins and are used worldwide during many celebrations, including the celebration of the Independence of the United States of America. Firecrackers are explosive pyrotechnics that, when ignited, emit a large amount of noise as a "bang." Small cylinders include a fuse and are typically wrapped in red and filled with an explosive powder. One of the most extensive firecracker packages sold is a roll including 16,000 firecrackers that lasts almost ten minutes. What a way to celebrate our nation's independence!

SUITER|SWANTZ
intellectual property

www.suiter.com

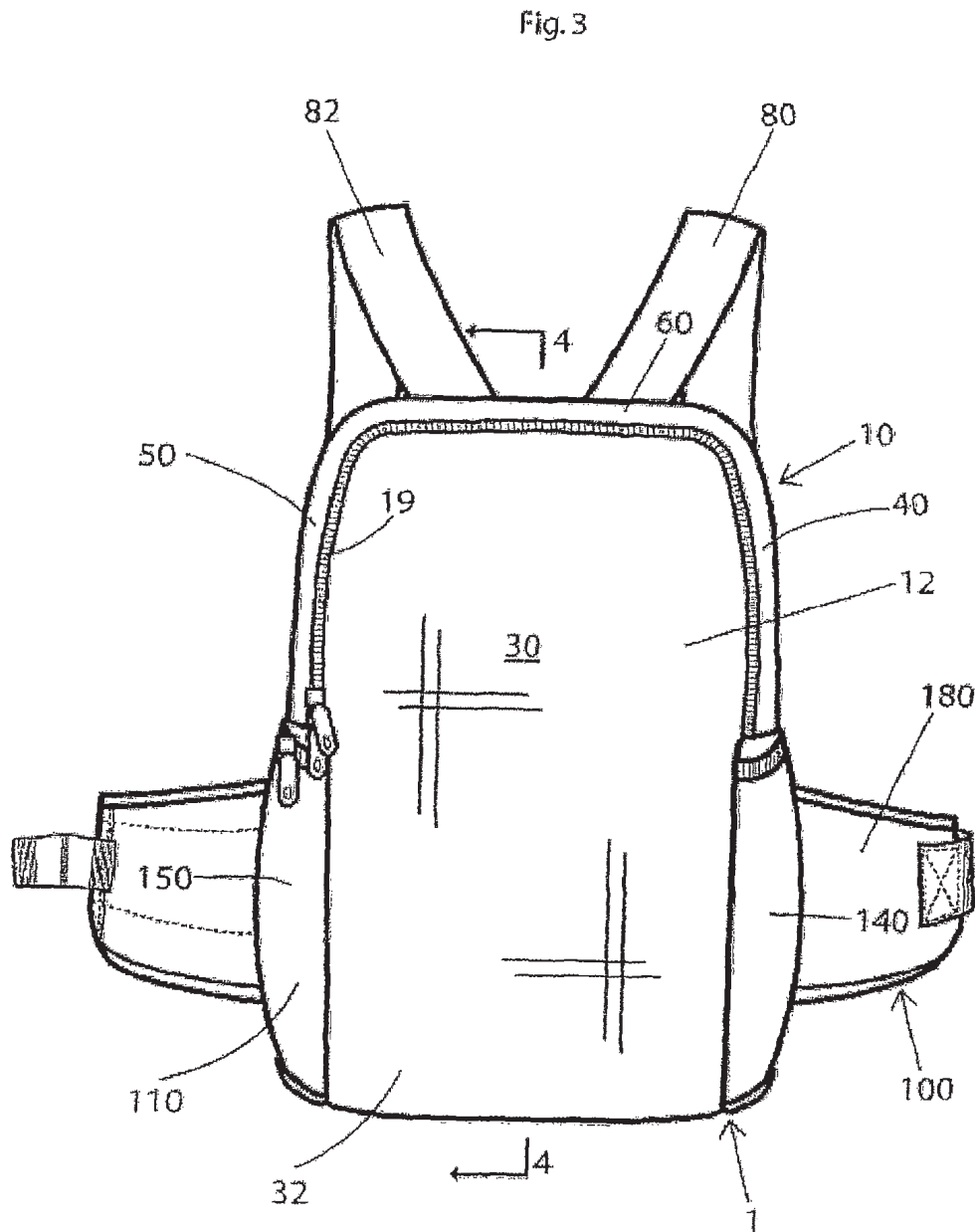
402.496.0300

JULY 2024

SUNDAY	MONDAY	TUESDAY	WEDNESDAY	THURSDAY	FRIDAY	SATURDAY
	1	2 "SINGLE AUDIO CONTROL PANEL CONFIGURATION" #8,477,047 JOEL A. CONRAD, STEPHEN R. JOHNSON - 2013	3	4 Independence Day	5	6 "NEON SIGN WITH CLOCK" #D619,176 RONALD P. VANOEVEREN 2010
7 "MEASUREMENT OF THICKNESS VARIATION AND SHAPE OF WAFERS" #9,074,873 SHOUHONG TANG - 2015	8	9	10 "SYSTEM AND METHOD FOR HYPERSPSPECTRAL IMAGING METROLOGY" #10,018,560 ANDREW V. HILL - 2018	11	12	13
14	15	16	17	18 "VIDEO PLAYING METHOD AND APPARATUS, AND ELECTRONIC DEVICE" #11,706,483 WEI LIU - 2023	19	20
21	22	23	24	25 "COMBINATION ENERGY IMPACT ATTENUATION, VIBRATION MITIGATION AND FLOTATION DEVICE FOR AIRCRAFT SEATING APPLICATIONS" #11,708,164 GLENN A. JOHNSON - 2023	26 "HAND-HELD DEVICE FOR POWERING THE REWINDING OF A FISHING REEL" #11,395,481 CRAIG A. VOGELER - 2022	27
28 "SYSTEM AND METHOD FOR PREVENTION AND RECOVERY FROM HIGH ALTITUDE STALLS" #10,723,480 PATRICK D. MCCUSKER, KEITH A. STOVER - 2020	29	30	31 "ACTIVE ROLL STABILISATION SYSTEM FOR DAMPING A SHIP'S MOTION" #10,363,999 MATTHEUS THEODORUS KOOOP, LAMBERTUS JOHANNES- MARIA DINNISSEN - 2021			

#8,534,523 BACKPACK AND WAIST BAG CARRYING SYSTEM

Douglas H. Murdoch, Michael Strum
Patented September 17, 2013



As August arrives, summer winds down, and back-to-school shopping begins. One essential piece of back-to-school wear is the backpack, which is designed to hold heavy textbooks and school supplies. Some offer more support like the model pictured, which includes a waist belt to distribute the bag's weight and take the tension off the shoulders. This bag is popular with students walking to and from school or across a college campus. Other bags are more stylish purely for cosmetic purposes and do not hold more than a few items. Nevertheless, backpacks are helpful for everyone who has anything to carry and are a way for students to show off their personality.

SUITER|SWANTZ
intellectual property

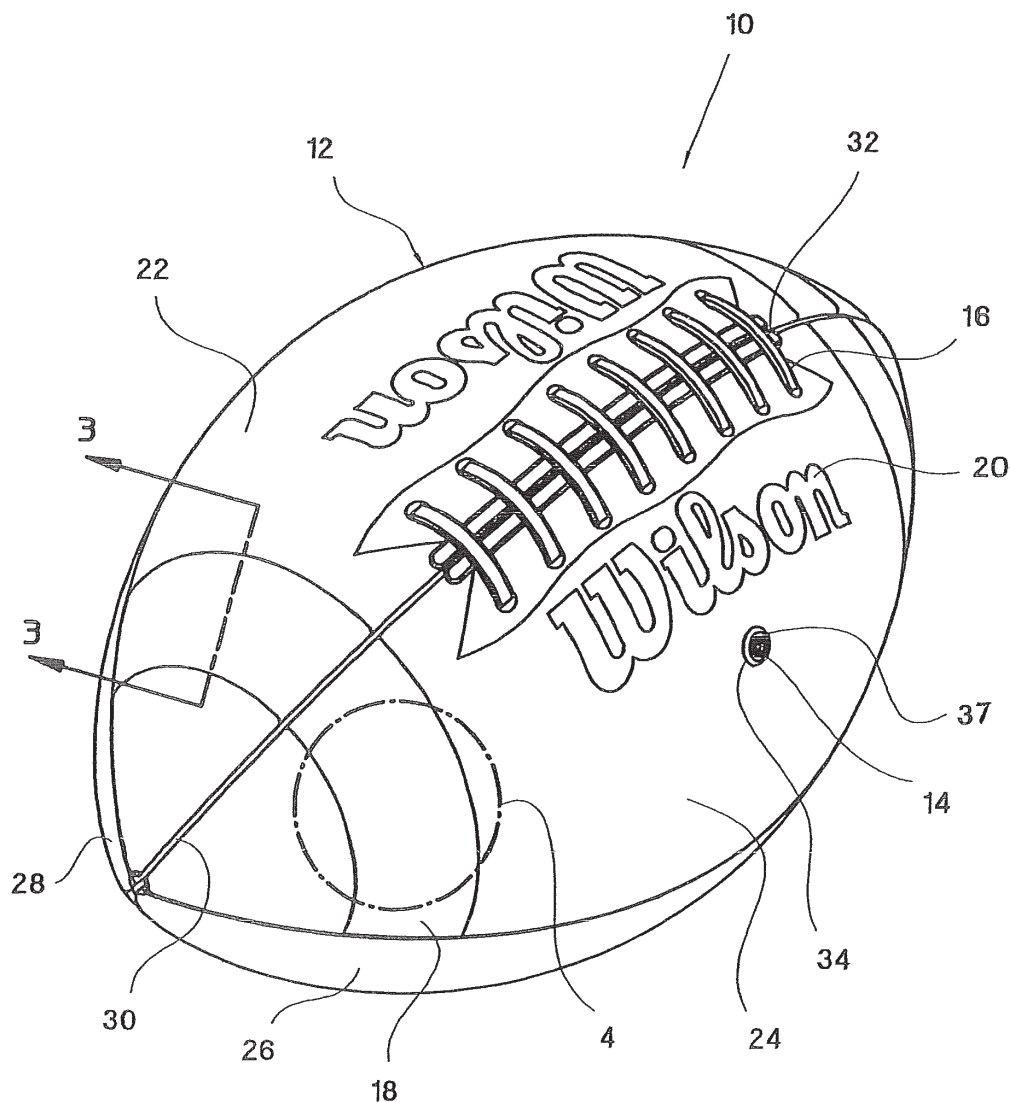
www.suiter.com

402.496.0300

AUGUST 2024

SUNDAY	MONDAY	TUESDAY	WEDNESDAY	THURSDAY	FRIDAY	SATURDAY
				1 "PAVING MACHINE WITH SMART STEERING CONTROL" #11,713,073 THOMAS C. FARR, RAYMOND J. BUMANN III, CHAD M. SCHAEING - 2023	2 "MODULAR ROBOTIC DEVICE FOR PRECISION SURGICAL BONE REMOVAL AND OTHER APPLICATIONS" #11,399,899 JORDAN BOS - 2022	3
4	5	6	7 "START-UP AND STABILIZATION OF MODE- LOCKED LASERS" #10,044,165 THOMAS J. CULLEN - 2018	8	9 "SPRINKLER" #D960,315 KERRY DOUGAN, MATT FAMIGLETTI - 2022	10
11 "SECRET COMMUNICATION SYSTEM" #2,292,387 MARKEY HEDY KIESLER, ANTHEIL GEORGE 1942	12	13 "HORIZONTAL ROTARY TRIMMER WITH VENTED BAFFLE" #10,375,883 RICHARD ZERBARINI, ROBERT ZERBARINI, PAUL ZERBARINI - 2019	14 "FLOWER HAT" #D665,153 MAXIMILLAN JOHN SUITER 2012	15	16	17
18 "MUSIC STAND FOR PIANOS" #7,576,272 TIMOTHY HOUFEK - 2009	19	20	21	22	23 "BROADBAND ULTRAVIOLET ILLUMINATION SOURCES" #11,424,117 YUNG-HO ALEX CHUANG, YINYING XIAO-LI, EDGARDO GARCIA-BERRIOS, JOHN FIELDEN - 2022	24 "BUBBLE DISPENSING DOLL" #5,238,437 COLIN VOWLES, JOLL BARAD, ROBIN SMITH, HOWARD STERN (MATTEL INC.) - 1993
25 "LOW NOISE FREQUENCY SYNTHESIZER" #7,579,916 ALAN B. MROCH - 2009	26	27	28	29	30 "PLASMA CELL WITH FLOATING FLANGE" #9,433,070 ILYA BEZEL, ANATOLY SHCHEMLININ, AMIR TOKAMAN - 2016	31

FIG.1



#8,905,876 GAME BALL COVER WITH IMPROVED STRIPES

Douglas G. Guenther, Kevin L. Krysiak,
Ming Hsin Lee
Patented September 5, 2013

Less popularly known as gridiron football, American football is derived from rugby and soccer. Being the United States' most watched and played sport, it's appropriate to highlight the most critical piece of the game: the ball. A football is oval-shaped to pass more effectively and advance the team forward down the field. The outer layer is made out of cowhide leather, which aids in being able to catch the ball in inclement weather. The inside rubber bladder is inflated with air, keeping it light and able to soar through the air when thrown accurately. A fun fact about football is that one leather supplier, Horween Leather Company, has supplied the NFL with the leather for the balls since 1941!

SUITER|SWANTZ
intellectual property

www.suiter.com

402.496.0300

SEPTEMBER 2024

SUNDAY	MONDAY	TUESDAY	WEDNESDAY	THURSDAY	FRIDAY	SATURDAY
1	2 Labor Day	3 "SYSTEMS AND METHODS FOR SMART VISION RUNWAY LANDING DISPLAY" #10,399,698 PRASHANT KUMAR PATHAK 2019	4	5 "HIGH DAMAGE THRESHOLD FREQUENCY CONVERSION SYSTEM" #9,753,352 J. JOSEPH ARMSTRONG - 2017	6	7 "TELEVISION RECEIVER" #2,448,908 LOUIS W. PARKER - 1948
8	9	10	11 "AUTOMATIC READING SYSTEM" #3,000,000 KENNETH R. ELDRIDGE - 1961	12	13 "SYSTEM AND METHOD FOR PROPORTIONAL COOLING WITH LIQUID METAL" #8,017,872 DAVID CRIPE, BRYAN MCCOY, NATHAN LOWER, ROSS WILCOXON - 2011	14
15	16	17 "DISPLAY SCREEN OR PORTION THEREOF WITH GRAPHICAL USER INTERFACE" #D860,220 ARPIT GUPTA - 2019	18	19	20 "LASER SUSTAINED PLASMA LIGHT SOURCE WITH HIGH PRESSURE FLOW" #11,450,521 ANATOLY SCHEMELININ - 2022	21
22	23	24 1877 U.S. Patent Office Fire	25	26 "DISPENSING COMB" #D1,000,000 AGUSTINA HUCKABY - 2023	27	28 "COMPUTER GAME ACCESSORY" #D624,600 JAMES FOWLER - 2010
29 "HAND CONTROLLER FOR VIDEO GAME" #D398,938 KEITH THURSTON, KENNETH THURSTON - 1998	30					

#7,237,922 PUMPKIN ILLUMINATION STAKE

Paul E. Cayton
Patented July 3, 2007

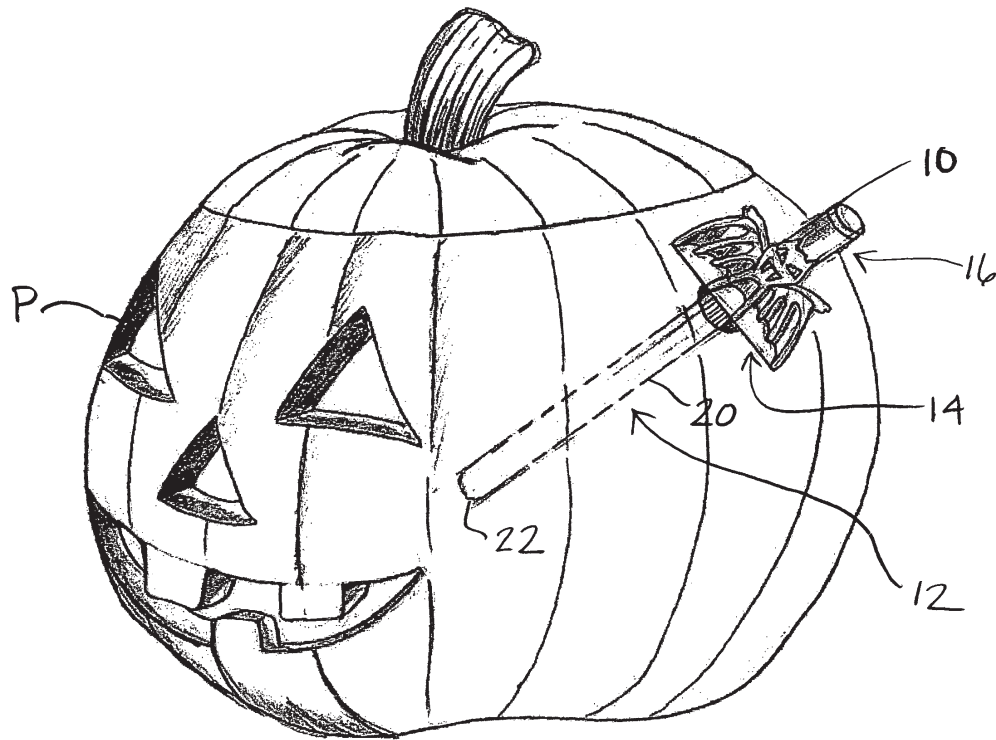


FIG. 5

Jack-o-lanterns are a staple of Halloween traditions. Safely displaying these hollowed-out pumpkins is a concern for many enthusiasts during the holiday season. Many options are available to illuminate spooky gourds, but a decorative fire-free way of lighting up the face of a carved pumpkin is an illumination stake. This device contains a battery-operated light bulb that hides in the appropriately themed decoration piece, with a switch that can turn off the light to save battery power during the day. In the picture, a bat is featured as the decoration piece, but other ideas for decoration are a cat or skull. How spooky!

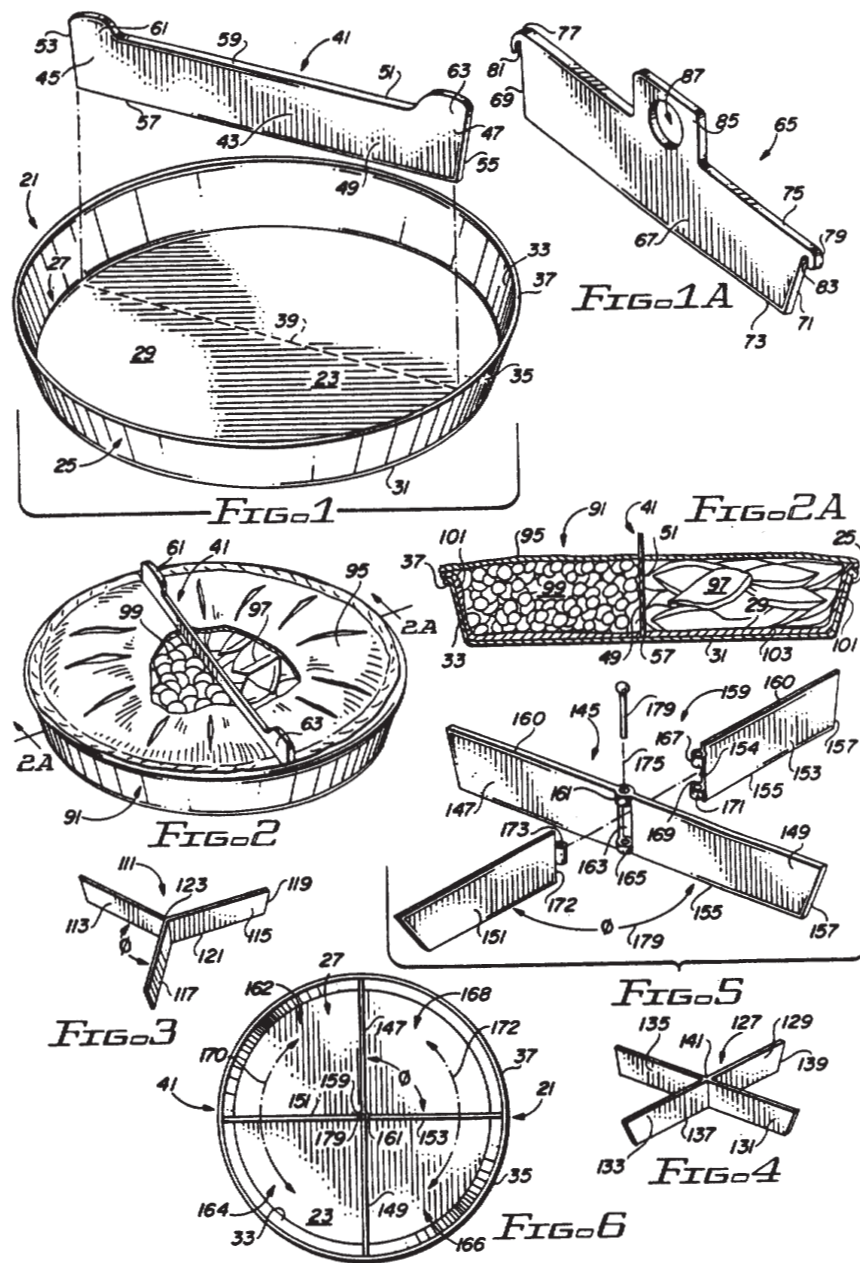
SUITER|SWANTZ
intellectual property

www.suiter.com

402.496.0300

OCTOBER 2024

SUNDAY	MONDAY	TUESDAY	WEDNESDAY	THURSDAY	FRIDAY	SATURDAY
		1	2	3 "SYSTEM FOR ELECTRON BEAM DETECTION" #9,778,186 SHINICHI KOJIMA, HAMADA WAHBA, MICHAEL GLUSZCZAK, JOSEPH DIREGOLO - 2017	4 "RUGGEDIZED CHIP SCALE ATOMIC CLOCK" #8,031,010 ROY BERQUIST, ROBERT NEWGARD, JOSEPH BOHL - 2011	5
6	7	8	9 "IMPROVEMENT IN SEWING-MACHINES" #13,662 I.M. SINGER - 1855	10	11 "FAST PHASE-SHIFT INTERFEROMETRY BY LASER FREQUENCY SHIFT" #11,469,571 HAIFENG HUANG, RUI-FANG SHI, DANIEL WACK - 2022	12
13	14 Columbus Day	15	16 "METHOD AND APPARATUS FOR CORRECTING FOR POWER HARMONICS" #10,099,787 BRENDAN UPTON, ERIC JOHANNESSEN - 2018	17	18 "ENERGY EFFICIENT PROCESSING DEVICE" #9,471,125 JOHN GEE, STEVEN KOENCK, DAVID JENSEN, ALLEN MASS, JEFFREY RUSSELL, BRADLEY WALKER - 2016	19
20 "PORTABLE HUMIDIFICATION DEVICE" #D899,570 TIMOTHY KUHLMAN - 2020	21	22	23 "TOY BUILDING BRICK" (LEGO) #3,005,282 G.K. CHRISTIANSEN - 1961	24	25	26
27 "STACKING, DISPLAY, AND SERVING DEVICE FOR PASTRIES AND OTHER FOOD ITEMS" #10,813,475 MELISSA STEPHENS - 2020	28	29	30 "PEN" #392,046 J.J. LOUD - 1888	31 Halloween		



#5,074,777 APPARATUS FOR MAKING A SPLIT PIE

Dennis B. Garner

Patented December 24, 1991

Everyone knows the star of the Thanksgiving feast is typically the turkey. However, it is always daunting for the hosts to choose which sides to make to accommodate everyone's preferences, and the same can be said for the dessert, too. The split pie maker can make it easier to achieve dining harmony. With the model shown, the baker can make two to four creations in the same pan. Nothing makes the holiday about being together and grateful more special than everyone getting to enjoy their favorite foods prepared by their loved ones.

SUITER|SWANTZ
intellectual property

NOVEMBER 2024

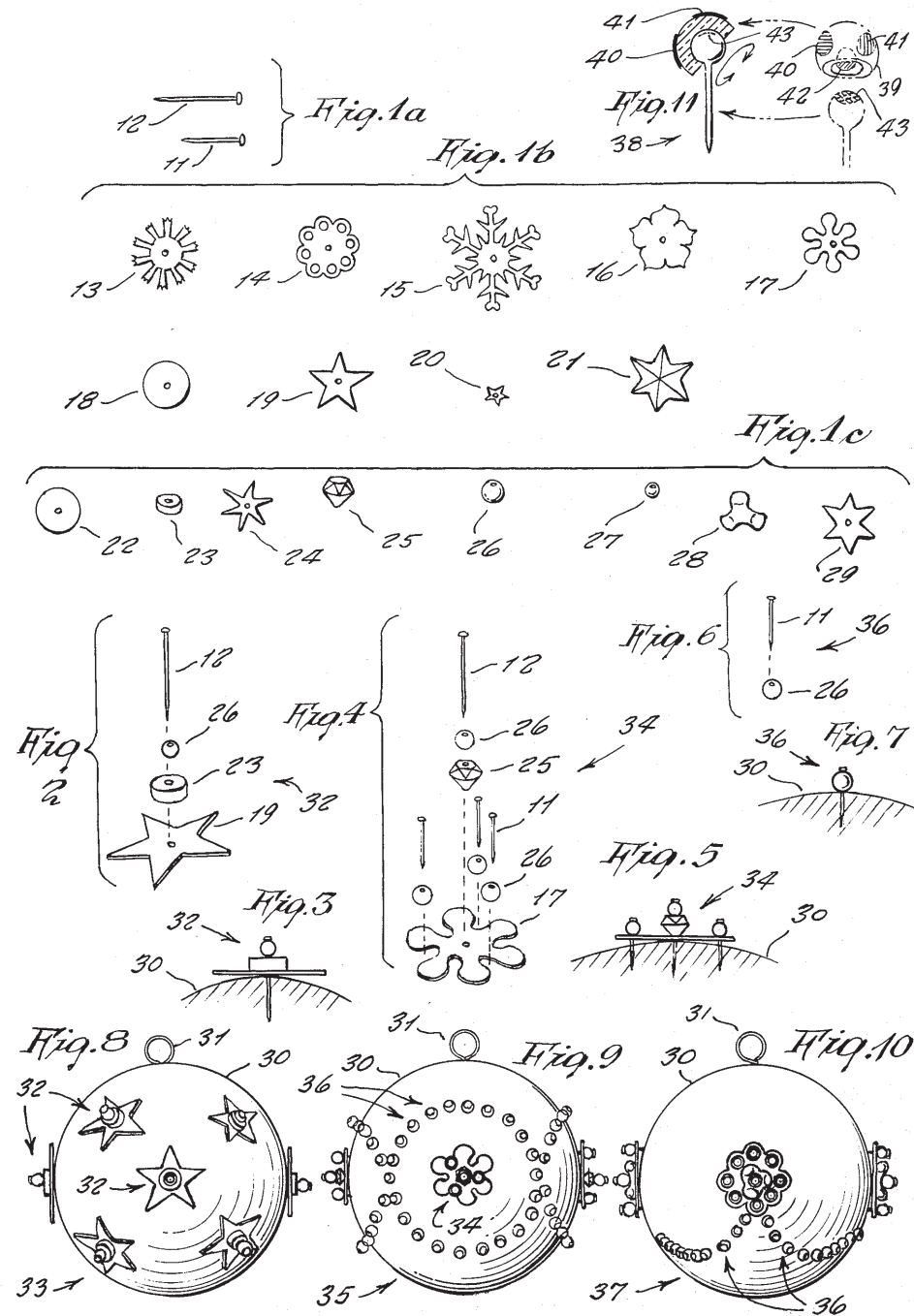
SUNDAY	MONDAY	TUESDAY	WEDNESDAY	THURSDAY	FRIDAY	SATURDAY
					1	2
3	4	5 "MOTOR CARRIAGE" #686,046 HENRY FORD - 1901	6	7	8	9 "PHOTO-REALISTIC IMAGE GENERATION USING SPECIFIC DATA" #11,170,568 RISHABH KAUSHIK, DANIEL LOWE - 2021
10	11 Veterans Day	12	13	14 "CARPET TREATING AND TREATED CARPET" (SCOTCHGUARD) #3,916,053 PATSY O. SHERMAN, SAMUEL SMITH - 1973	15 "MICROELECTRONICS PACKAGE WITH ENHANCED THERMAL DISSIPATION" #11,502,060 REGINALD BEAN, BRET SIMON, RUSSELL TWANEY, ROSS WILCOXON - 2022	16
17 "SINGLE CELL SCATTEROMETRY OVERLAY TARGETS" #10,837,919 EITAN HAJAJ - 2020	18	19 "ELECTRIC RAILWAY" #687,098 GRANVILLE T. WOODS - 1901	20	21	22 "ROTARY CEMENT KILN" #775,600 THOMAS EDISON - 1904	23
24 "METHOD AND APPARATUS FOR SELECTING DIGITAL BROADCASTING CHANNEL" #11,343,899 BRIAN AHR, ALEXANDER BYKANOV, RUDY GARCIA, LAYTON HALE, OLEG KHODYKIN - 2022	25	26	27 "QUANTUM DOT-BASED LIGHTING SYSTEM FOR AN AIRCRAFT" #10,141,533 LUIS SAM, ERIC JOHANNESSEN, BRENDAN UPTON - 2018	28 Thanksgiving	29	30 "GLASS JAR" #22,186 JOHN L. MASON - 1875

#4,489,111 BEADED TRIMMED SATIN CHRISTMAS ORNAMENT

Dorothy B. Woodrum

Patented December 18, 1984

Christmas cheer permeates the air as decorations for the holiday season appear. Busts of Santa Claus, inflatable snowmen, and Christmas trees illuminate windows and lawns, making everything merry and bright. Just as important as tree lights, decorations adorned on the branches make the tree complete and come to life. Ornaments often all match and can be purchased as part of a set. Conversely, some make their own ornaments with kits like the one pictured. Their collection could also comprise of many homemade and gifted ornaments, none matching at all, yet having a sentimental value or story behind each piece. No matter how it is decorated, the tree should bring peace and joy into your home during the holiday season.



SUITER|SWANTZ

intellectual property

DECEMBER 2024

SUNDAY	MONDAY	TUESDAY	WEDNESDAY	THURSDAY	FRIDAY	SATURDAY
1	2 "PAW SHAPED ORNAMENT" #D581,830 DAVID C. SLABAUGH - 2008	3	4	5	6 "INTEGRATED CONTAINER AND DOSING DEVICE FOR LIQUID MEDICATION DELIVERY" #11,517,505 MICHAEL A. CREATURO - 2022	7
8	9	10	11 "LOW LATENCY MIXED REALITY HEAD WEARABLE DEVICE" #10,152,775 PETER BELLOWS, DANILO GROPPIA, BRAD WALKER - 2018	12	13	14 "SMOOTHNESS INDICATOR ANALYSIS SYSTEM" #7,850,395 MARK BRENNER, RAYMOND BUMANN III, GARY GODBERSEN, JAMES HONEA - 2010
15	16 "DATABASE-DRIVEN CELL-TO- CELL RETICLE INSPECTION" #8,914,754 CARL HESS, JOHN MILLER, SHI RUI-FANG, CHUN GUAN 2014	17	18	19	20 "REAL TIME AND IN-FLIGHT DYNAMIC PERSONALIZATION OF AN AIRCRAFT" #9,523,985 GEOFFREY BARNES, STEPHEN TIMM, BRYAN VESTER, CHARLES DIRKS, RICHARD MOORE - 2016	21
22	23	24 Christmas Eve	25 Christmas	26	27 "MOOD RESPONSE SYSTEM" #6,980,149 DENNIS MEYER - 2005	28 "PROCESS FOR RECYCLING ASPHALT-AGGREGATE COMPOSITIONS" #4,000,000 ROBERT MENDENHALL - 1976
29	30	31 New Year's Eve "BOARD GAME APPARATUS" (MONOPOLY) #2,026,082 CHARLES DARROW - 1935				

SUITER|SWANTZ
intellectual property

Suiter Swantz IP is a full-service intellectual property law firm providing client-centric patent, trademark, and copyright services.

We understand the importance of protecting your innovation and can help guide you through the IP landscape in a manner that minimizes cost while maximizing value.

For more than 30 years, our firm has helped a variety of organizations ranging from individual inventors and early-stage startups to international multi-billion-dollar corporations navigate the complex landscape of intellectual property procurement and protection.

If you need assistance with an intellectual property matter and would like to speak with one of our patent attorneys, please contact us at **info@suiter.com**.



Suiter Swantz Intellectual Property
Patents | Trademarks | Copyrights

14301 FNB Pkwy, Suite 220
www.suiter.com

Omaha, NE 68154
402.496.0300