

U.S. PATENT CALENDAR 2021

SUITER|SWANTZ
intellectual property

“Transforming Innovation into Assets”

#6,572,435 CONFETTI POPPER

Paul Wong

Patented June 3, 2003

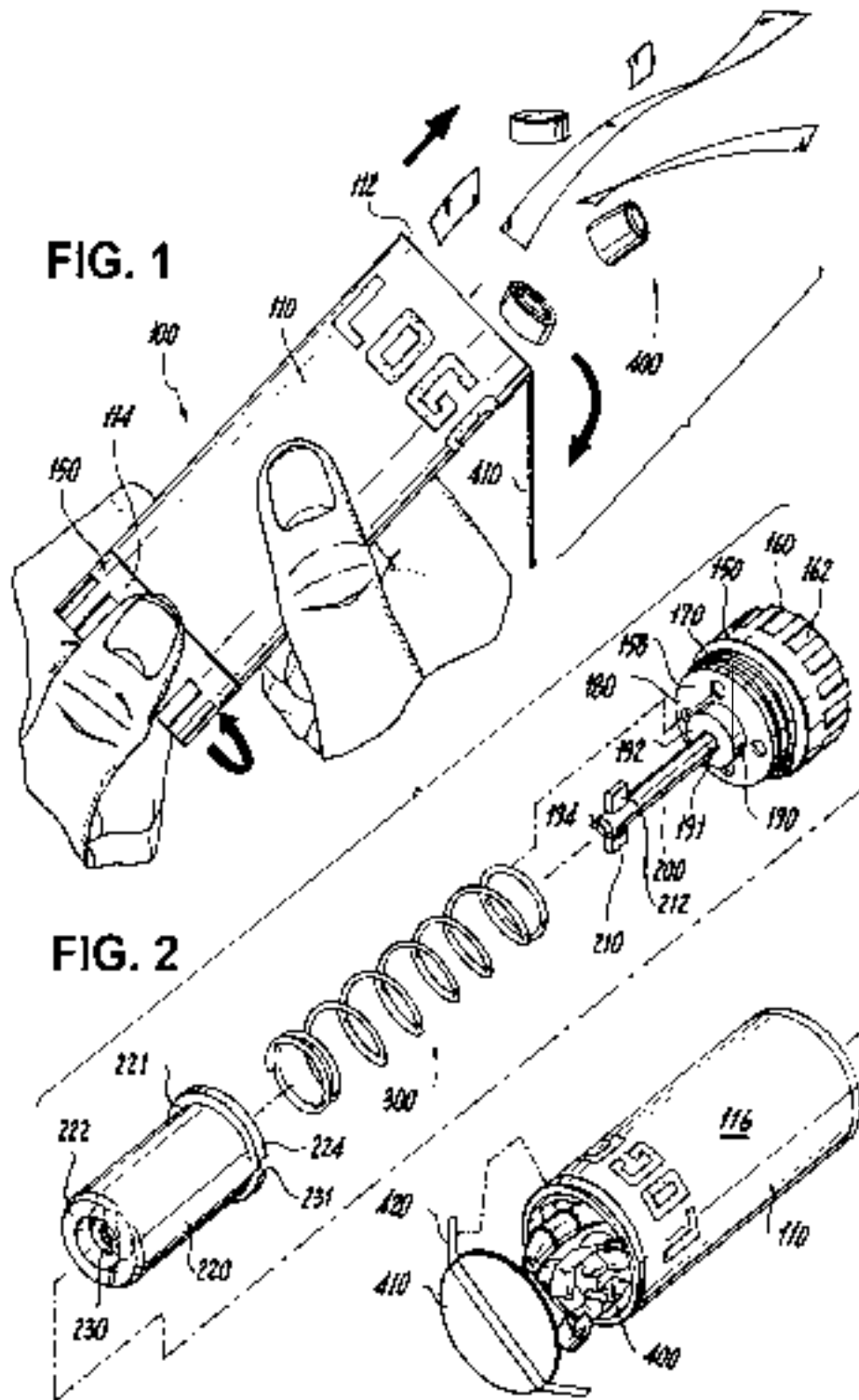
There's no better way to celebrate the new year than with some fun and festive confetti poppers. While there are different variations of the celebratory devices, the original version was created in 1885 in France.

According to the patent, the confetti popper includes a storage component to house the confetti and a spring to eject it. Moving the bottom of the barrel from its locked position to its second position allows the colorful confetti to be released from the top of the popper.

SUITER|SWANTZ
intellectual property

www.suiter.com

402.496.0300



JANUARY 2021

SUNDAY	MONDAY	TUESDAY	WEDNESDAY	THURSDAY	FRIDAY	SATURDAY
					1 New Year's Day	2 "AERIAL MACHINE" #945,514 WILLIAM E. GOBLE - 1910
3 "ROUNDAABOUT" (FERRIS WHEEL) - #489,238 WILLIAM SOMERS - 1893	4	5 "DIGITAL VIDEO EDITING SYSTEM" - #8,228,372 HUDL - 2007	6	7 "LOUD-SPEAKER HORN" #2,537,141 P. W. KLIPSCH - 1951	8 "BASE BALL MASK" #376,278 G. BARNARD - 1888	9
10	11	12	13 "GAME BOARD" (BATTLESHIP) - #1,988,301 L. COFFIN - 1935	14	15	16
17	18 Martin Luther King Jr. Day	19 "SOAP HOLDER" - D878,088 MICHAEL E. GODING - 2018	20	21 "SYSTEM AND METHOD FOR BROADCAST CONFLICT RESOLUTION" - #7,639,709 ROCKWELL - 2006	22	23 "ICE CREAM CONE" #1,615,680 M. E. BUHSE - 1922
24 31	25 "ELECTRIC LAMP" - #223,898 THOMAS EDISON - 1880	26 "BREWING BEER AND ALE" #135,245 L. PASTEUR - 1873	27	28	29	30

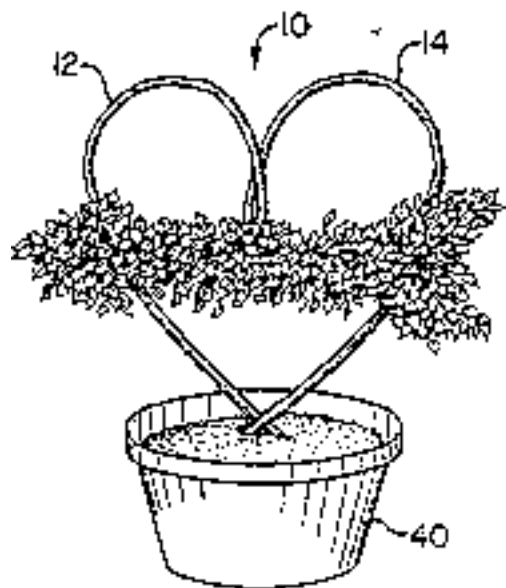


FIG. 1

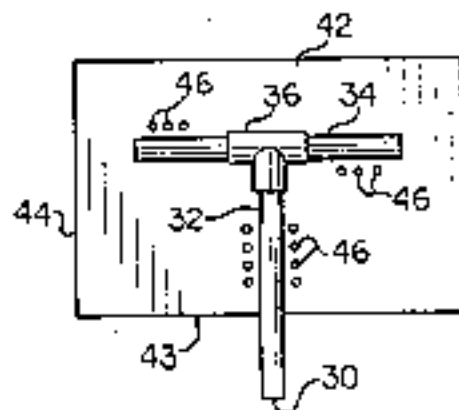


FIG. 2

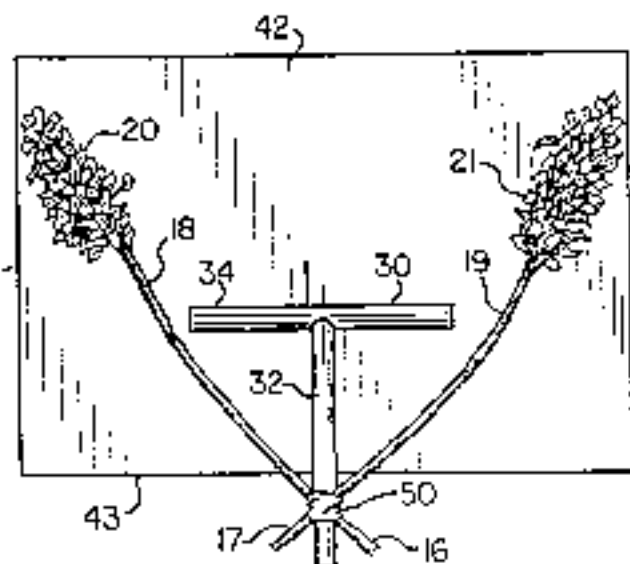


FIG. 3

#4,993,184 HEART-SHAPED PLANT

Gene L. Howe

Patented February 19, 1991

During Valentine's Day, flowers are especially popular to give as gifts. From roses to intricate flower arrangements to heart-shaped plants, Valentine's Day flowers come in all shapes and sizes.

The heart-shaped, free standing, living plants consists of two separate plants whose trunks are bent together in the shape of a heart—no trellis needed! A supportive accessory is provided during the initial growing period when the heart-shaped plant is permanently formed.

Eventually, the accessory can be removed to form a free-standing, unsupported living plant.

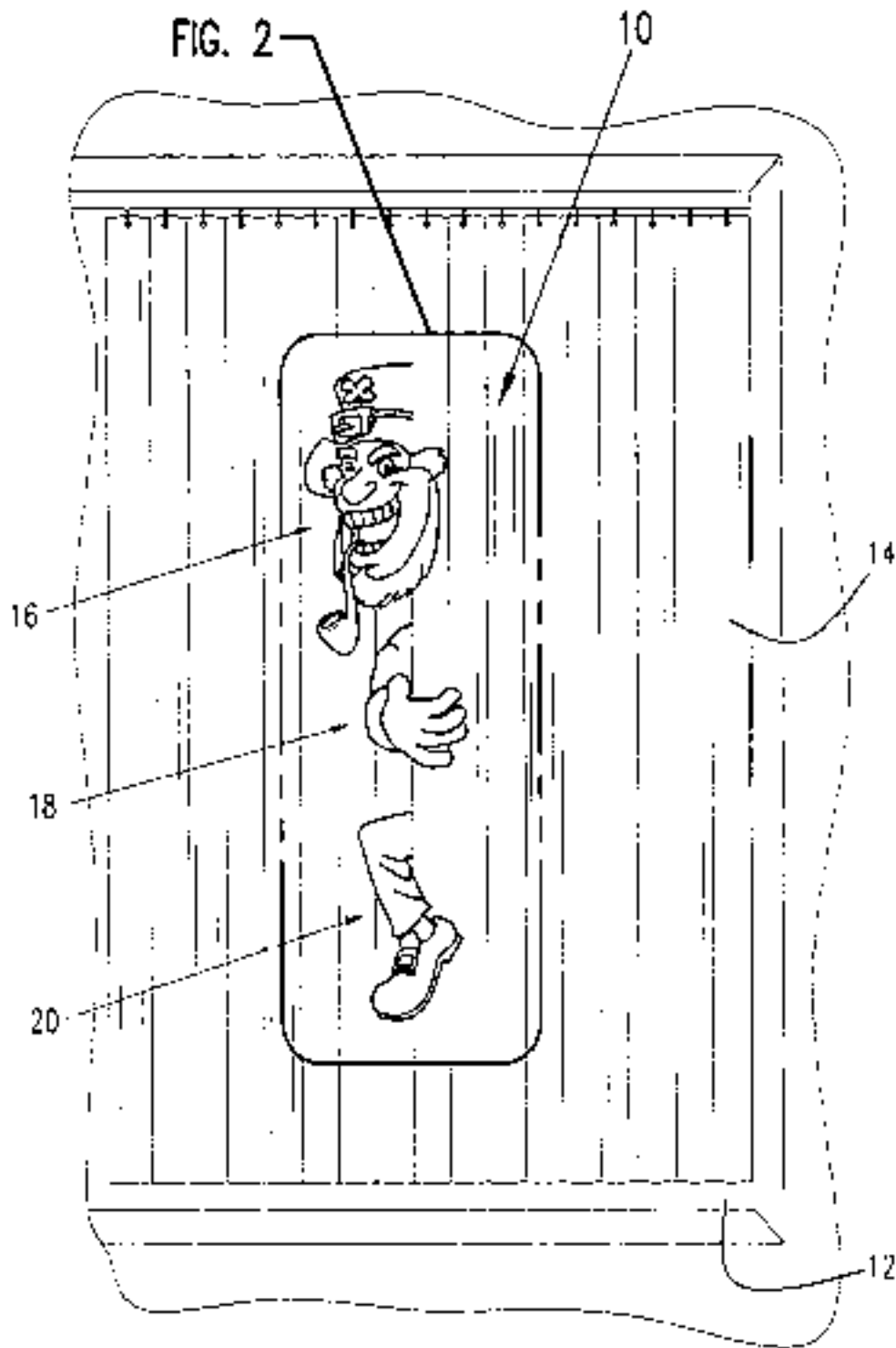
SUITER|SWANTZ
intellectual property

www.suiter.com

402.496.0300

FEBRUARY 2021

SUNDAY	MONDAY	TUESDAY	WEDNESDAY	THURSDAY	FRIDAY	SATURDAY
	1	2	3	4 "VACCUM CEANER" #2,029,613 - ERIK - 1941	5	6
7 "BOTTLE-SEALING DEVICE" #468,226 WILLIAM PAINTER - 1892	8	9 "COLOR CINEMATOGRAPHY" #1,844,377 JOSEPH A. BALL - 1932	10	11 National Inventor's Day	12 "METHOD AND APPARATUS FOR MANAGING OXYGEN GENERATING SYSTEM" #9,139,434 HVLP02 LLC - 2014	13 "IMPROVEMENT IN CATCHER'S MASKS" #200,358 FREDERICK W. THAYER-1878
14 Valentine's Day	15 Presidents' Day	16	17	18 "SEED TESTING METHOD AND APPARATUS"- #8,763,305 KAMTERTER PRODUCTS LLC 2013	19	20 "LIGHTER FOR MECHANIZED EQUIPMENT" - #2,341,866 A. J. HIGGINS - 1941
21 "PLOW" #46,454 JOHN DEERE - 1865	22	23	24	25	26 "ATHLETIC SHOE FOR ARTIFICIAL TURF" #3,793,750 WILLIAM J. BOWERMAN - 1974	27
28 "TURBO COMPOUNDING SYSTEM" - #7,893,554 DEERE AND CO. - 2008						



#20060048906A1 LEPRECHAUN WINDOW DECAL

Robert Mathieson
Patented March 3, 2006

People have long used a variety of decals to decorate windows. This patent for a Saint Patrick's Day decorative accessory is easy to apply, can be used more than once, and is inexpensive to manufacture.

This patent contains a press-on decal that is made viewable and non-viewable by opening and closing window blinds. This decal is perfect for Saint Patrick's Day festivities and celebrations.

SUITER|SWANTZ
intellectual property

www.suiter.com

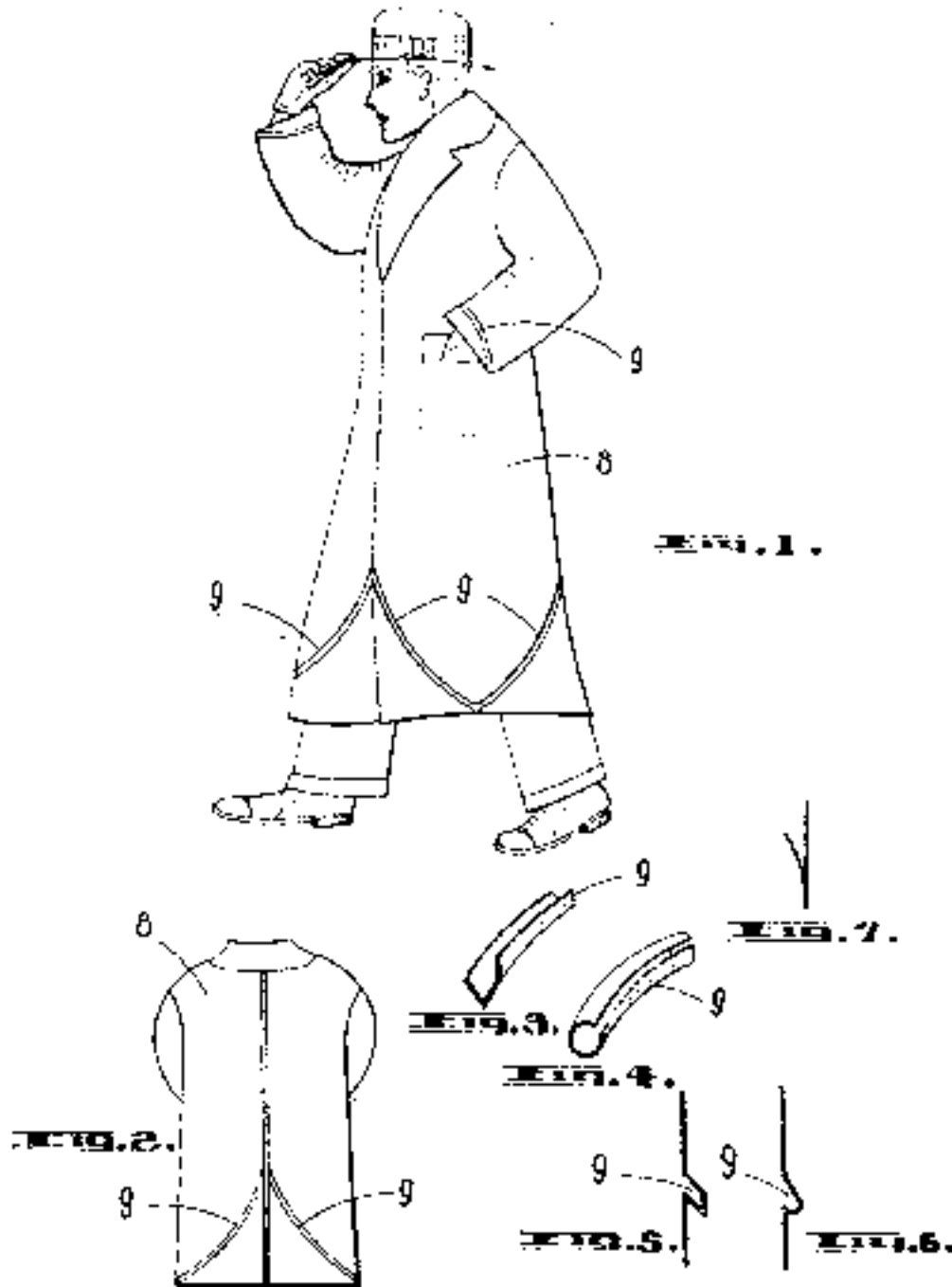
402.496.0300

MARCH 2021

SUNDAY	MONDAY	TUESDAY	WEDNESDAY	THURSDAY	FRIDAY	SATURDAY
	1 "DIVER'S SUIT" #1,370,316 HARRY HOUDINI - 1921	2	3	4 <u>"HOOP TOY"</u> #3,079,728 A. K. MELIN - 1963	5	6
7	8 "POSTAGE-METER AND MAIL-MARKING MACHINE" #1,370,668 ARTHUR H. PITNEY - 1921	9	10	11 "DEVICE FOR WRITING" #4,907,824 YAKOV SMIRNOFF - 1990	12	13
14 "OPTICAL PROXIMITY CORRECTION DRIVEN HIERARCHY" - #6,813,758 BELL SEMICONDUCTOR LLC 2002	15 "UNDERGROUND PIPE PULLING PROCESS AND PIPE PULL HEAD" - #10,472,236 BOREHEAD LLC - 2018	16 <u>"COLOR TELEVISION"</u> #2,437,690 PETER C. GOLDMARK - 1948	17 St. Patrick's Day	18	19	20
21 <u>"BICYCLE FRAME"</u> #2,151,533 FRANK W. SCHWINN - 1939	22 "BASE BALL CATCHER" #755,209 J. E. BENNETT - 1904	23	24	25 "SQUEEGEE" #1,057,253 FRANK J. MATCHETTE - 1913	26	27 <u>"CORKSCREW"</u> #27,615 M.L. BYRN - 1860
28	29	30	31 <u>"PIANO FRAME"</u> #314,742 C. F. T. STEINWAY - 1885			

#1,720,114 RAINCOAT

John A. Asselin
Patented July 9, 1929



Raincoats were first designed with ineffective and absorbent materials. In this invention, the water-repellent material used is folded over in three sets of pieces, two of which are closed with staples or other fastenings. The third piece is fastened together after the raincoat is worn.

This method provides protection for the head and diverts rain away from the shoulders, yet the arms may be moved in and out of the outfit with ease.

SUITER|SWANTZ
intellectual property

www.suiter.com

402.496.0300

APRIL 2021

SUNDAY	MONDAY	TUESDAY	WEDNESDAY	THURSDAY	FRIDAY	SATURDAY
				1	2 "DUAL RAZOR BLADE ASSEMBLY" - #3,724,070 FRANCIS W. DORION - 1973	3
4 Easter	5 "PARLOR SKATE" #88,711 I. HODGSON - 1869	6	7	8	9 "FOLDING BASKET CARRIAGE FOR SELF- SERVICE STORES" #2,196,914 SYLVAN N. GOLDMAN - 1940	10
11	12	13 "FLAKED CEREALS AND PROCESS OF PREPARING SAME" - #558,393 - JOHN HARVEY KELLOGG - 1896	14 "METHOD FOR RESTRICTING CALLS TO A CELL-PHONE" #7,218,924 GOOGLE LLC - 2005	15	16 "VEHICLE LED DISPLAY SYSTEM" - #10,412,800 CHRISTOPHER S. BEATTIE 2007	17
18 "FOUNTAIN PEN" - #1,412,930 JOSEPH FRIEDMAN - 1922	19	20	21	22 "WINDMILL DRIVE" #1,755,422 HERBERT E. BUCKLEN - 1930 Earth Day	23	24 "HIGHWAY GUARD RAIL" #1,905,377 S. R. GARNER - 1932
25	26 "AUTONOMOUS FLOOR-CLEANING ROBOT" #6,883,201 JOSEPH L. JONES - 2005 World IP Day	27 "HANDCUFF" #226,949 HERMANN AHREND - 1880	28	29	30 "MULTIFUNCTIONAL SYSTEM FOR DAMPING A SHIP'S MOTION" - #10,370,069 AOMB - 1930	

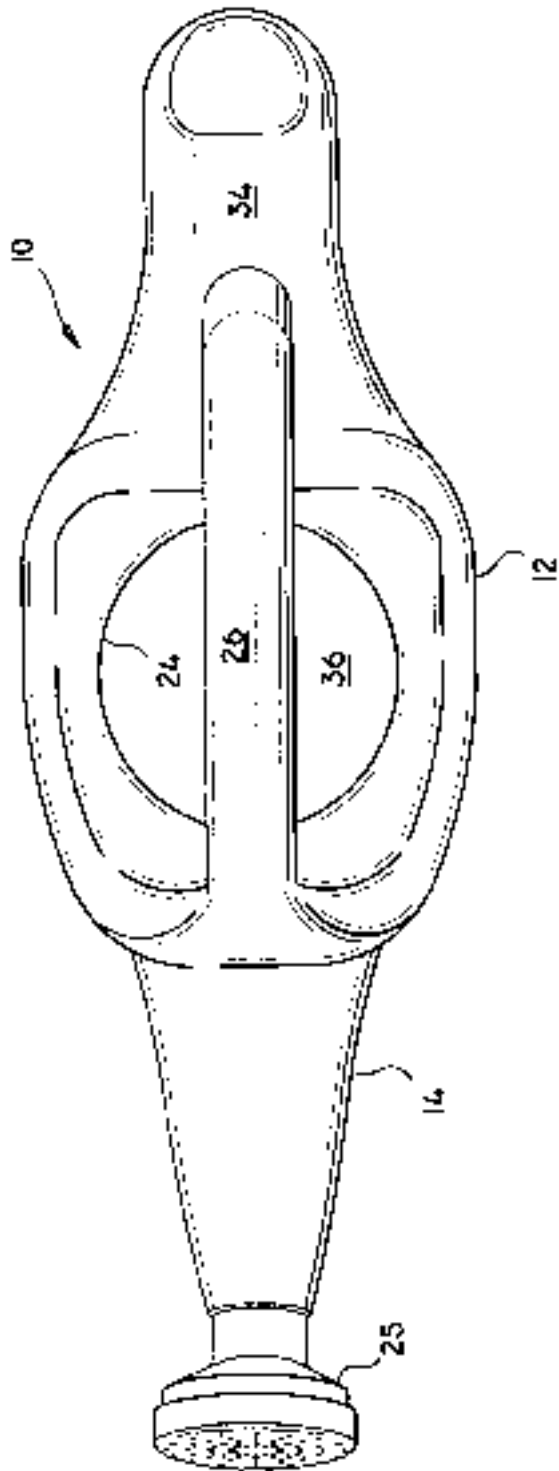


FIG. 3

#5,915,628 WATERING CAN

James Kriezel

Patented June 29, 1999

If there is one tool that symbolizes a well-kept garden, it's the watering can.

Watering cans are available in a variety of sizes to meet the needs of each individual gardener. However, this patent features an ergonomic design to support wrists and arms while in use. The curved handle and extended spout allows users to water their plants comfortably and without strain.

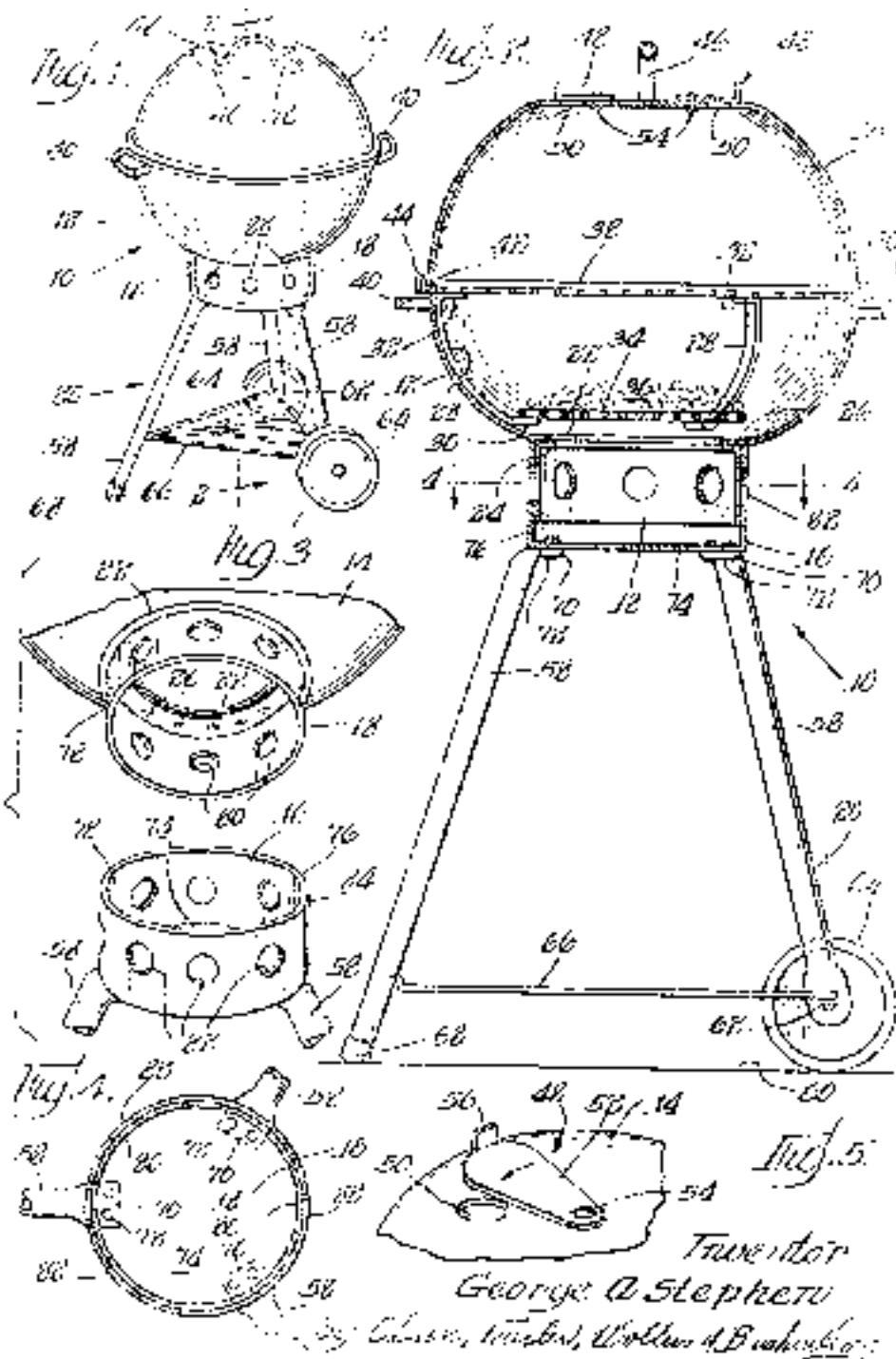
SUITER|SWANTZ
intellectual property

www.suiter.com

402.496.0300

MAY 2021

SUNDAY	MONDAY	TUESDAY	WEDNESDAY	THURSDAY	FRIDAY	SATURDAY
						1 "TRAFFIC- SIGNAL" #1,224,632 WILLIAM GHIGLIERI - 1917
2	3 "IGNITION INTERLOCK BREATHALYZER" #7,934,577 MICHAEL W. WALTER & DOUGLAS E. DEVRIES - 2011	4	5 "ICE MACHINE" #8,080 J. GORRIE - 1851	6	7	8 "WINDOW FRAME AND SASH"- #519,333 MARGARET E. KNIGHT - 1894
9 Mother's Day	10	11	12 "TYPE-WRITER KEYBOARD" #2,040,248 AUGUST DVORAK, WILLIAM DEALEY - 1936	13 "ROTARY PIVOT ARM POSITIONING ASSEMBLY" #8,080 J. GORRIE - 1851	14 "INTEGRATED AIRCRAFT GALLEY SYSTEM" #9,840,329 BE AEROSPACE INC - 2014	15 "SYSTEMS FOR THE CONTROL AND USE OF FLUIDS AND PARTICLES" - #7,959,089 KAMTERTER I LLC - 2009
16	17	18 "SURGICAL ABSORBENT DRESSING" #582,925 ROBERT W. JOHNSON - 1897	19	20 "DOUBLE-CYLINDER PRINTING PRESS" #2,629 RICHARD M. HOE - 1842	21	22
23 30	24 Memorial Day 31	25 "METHOD FOR PRODUCTION OF PENICILLIN" #2,442,141 ANDREW J. MOYER - 1948	26 "JEWELRY FASTENER" #D622,173 ANGELA BLAD - 2009	27 "ADHESIVE TAPE" #1,760,820 R.G. DREW - 1928	28	29 "ZIGZAG SEWING MACHINES" - #2,986,107 ALLAN HERMAN ERIKSSON - 1961



#3,330,266 WEBER GRILL

George A. Stephen
Patented February 3, 1966

While there are various varieties and sizes of grills, George Stephen Jr. is credited as the first inventor of the charcoal grill. Once a welder at Weber Brother Metal Works, George primarily welded spears together to make marine buoys.

In 1952, Stephen split a buoy in half to make a dome-shape. He then welded legs on the lower half and added holes to allow the flow of oxygen needed to maintain a fire. This unique design and technology proved to be more efficient and easier to maintain than other grills while enhancing the flavor of grilled food.

SUITER|SWANTZ
intellectual property

www.suiter.com

402.496.0300

JUNE 2021

SUNDAY	MONDAY	TUESDAY	WEDNESDAY	THURSDAY	FRIDAY	SATURDAY
		1 "ELECTRIC VOTE RECORDER" - #2,244,204 THOMAS EDISON - 1869	2	3 "BASEBALL GAME APPARATUS" - #2,244,204 FRANK H. KESSLER - 1941	4	5
6 "THERMO-ELECTRIC COOLING SYSTEM FOR A FOOD AND BEVERAGE COMPARTMENT" #8,839,631 BE AEROSPACE INC - 2012	7	8 "STEAM MOTOR VEHICLE" #2,244,204 THOMAS EDISON - 1869	9	10	11 "SPACE CAPSULE" #3,093,346 MAXIME A. FAGET - 1963	12 "METHOD AND MEANS OF MAGNETIC RECORDING" #2,351,004 M. CAMRAS - 1944
13	14 "PROCESS OF PRODUCING PAINTS AND STAINS" #1,632,365 - GEORGE WASHINGTON CARVER - 1927	15 "MONOLITHIC OPTICALLY DRIVEN HIGH FREQUENCY POWER AMPLIFIER" #8,218,934 ROCKWELL - 2012	16	17 "CLOTH FINISHING" #2,005,517 SANFORD L. CLUETT - 1935	18	19 "TELEGRAPH SIGNS" #1,647 S.B.F. MORSE - 1840
20 Father's Day	21 "THREE POCKET BIB APRON" #D691,783 VIF - 2011	22	23 International Women in Engineering Day	24 "BASKETBALL" #1,718,305 GEORGE L. PIERCE - 1929	25 "MONOCYCLE" #521,786 JOHN W. FINCH - 1894	26
27	28	29 "RESPIRATOR" #3,191,596 FOREST M. BIRD - 1914	30 "BIFOCAL LENS" #1,102,008 A. J. CROSS - 1914			

FIG. 1

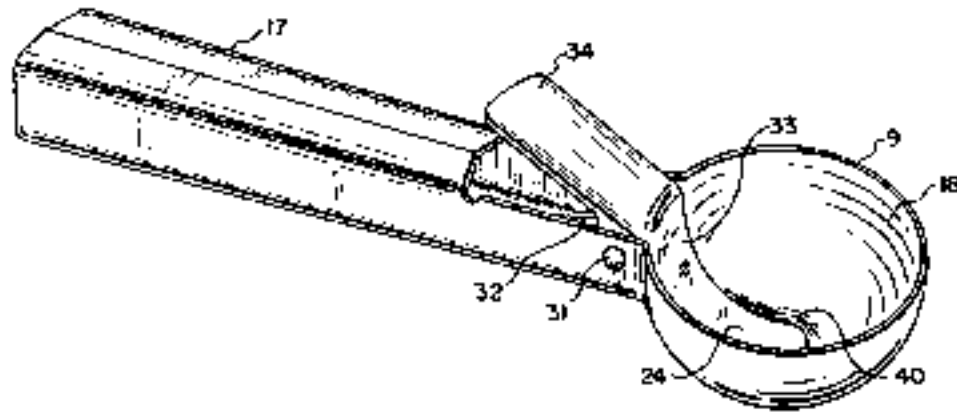


FIG. 2

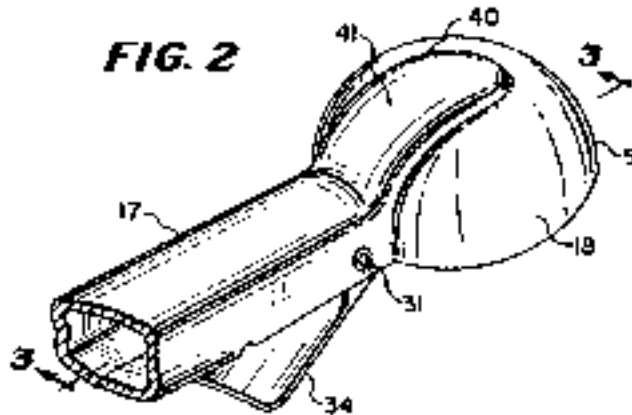
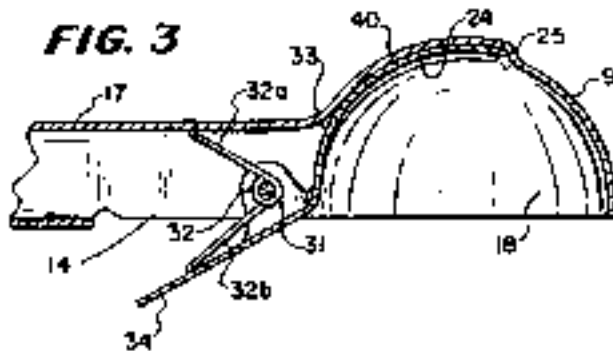


FIG. 3



#4,161,381 ICE CREAM SCOOP

Alfred L. Cralle

Patented July 17, 1979

While working at a drugstore, Alfred L. Cralle noticed how ice cream servers struggled to transfer ice cream from its container into cones for customers. Thus, Cralle created the ice cream scoop.

His invention was designed to be strong, inexpensive, and easy to operate with one hand. It had no moving parts that could break or malfunction. While originally made for ice cream parlors and restaurants, it quickly became used by the general public.

SUITER|SWANTZ
intellectual property

www.suiter.com

402.496.0300

JULY 2021

SUNDAY	MONDAY	TUESDAY	WEDNESDAY	THURSDAY	FRIDAY	SATURDAY
				1	2	3
4 Independence Day	5 "ROTARY ENGINE" #478,271 ANDREW JACKSON BEARD 1892	6	7 "MOVING PICTURE CAMERA" #1,102,261 J.A. GOLDEN - 1914	8 "PEDICURE APPARATUS" #D640,387 DANNY DUY TRAN - 2010	9	10 "BARBECUE VESSEL" #3,330,266 G.A. STEPHEN - 1966
11 "SPRAY SYSTEM FOR SUN TANNING" #4,846,525 TED A. MANNING - 1989	12	13	14 "IMPROVEMENT IN TAPE MEASURES" - #79,965 ALVIN J. FELLOWS - 1868	15 "SAFETY HAT" - #1,770,376 EDWARD W. BULLARD - 1930	16 "METHOD AND APPARATUS TO RETRIEVE DATA FROM POWER DISTRIBUTION UNITS" - #10,466,767 VERTIV CORP - 2016	17 "SNARE DRUM" - #2,166,733 HENRY H. SLINGERLAND 1939
18 "SYSTEM AND METHOD FOR GENERATION OF EXTREME ULTRA-VIOLET LIGHT" #9,534,848 KLA CORP - 2014	19	20	21 "HYDRANT" - #734,251 ARTHUR O. BABENDREIER 1903	22 "THREE - DIMENSIONAL FINISHING MACHINE"- #9,982,399 GOMACO CORP - 2015	23 "UMBRELLA" #1,033,651 - J. AHERN & L. FREDERICK - 1912	24 "ATHLETIC SHOE" #1,462,625 J. T. RIDDELL - 1923
25 "PORTABLE ELECTRONIC KEYBOARD MUSICAL INSTRUMENT" - #349,127 PRINCE R. NELSON - 1994	26	27	28	29	30 "SYSTEMS AND METHODS FOR DECODING CARD SWIPE SIGNALS" - #8,231,055 SAM WEN - 2012	31

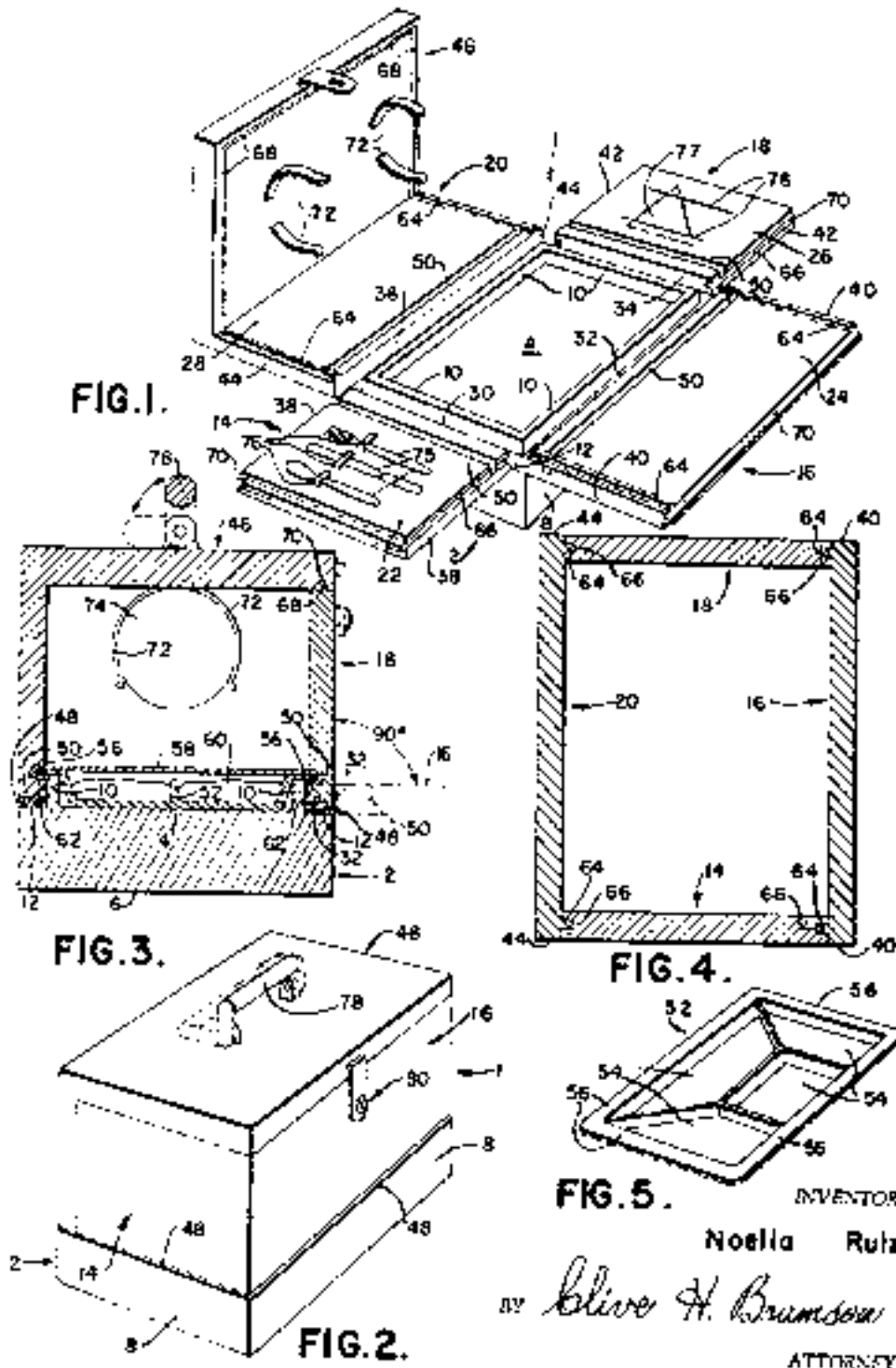
#3,372,690 INSULATED LUNCH BOX

Noelia Ruiz

Patented June 6, 1966

As lunch boxes became a staple for students, inventors have continued to improve the on-the-go storage container. Modern day lunch boxes are now generally made of plastic, with foam insulation, and a vinyl interior. The favored insulated component helps maintain the food's temperature over time.

The device also acts as a food tray and a cover that securely prevents spillage of the contents during transportation and handling.



INVENTOR
Noelia Ruiz
BY *Oliver H. Branson*
ATTORNEY

SUITER|SWANTZ
intellectual property

www.suiter.com

402.496.0300

AUGUST 2021

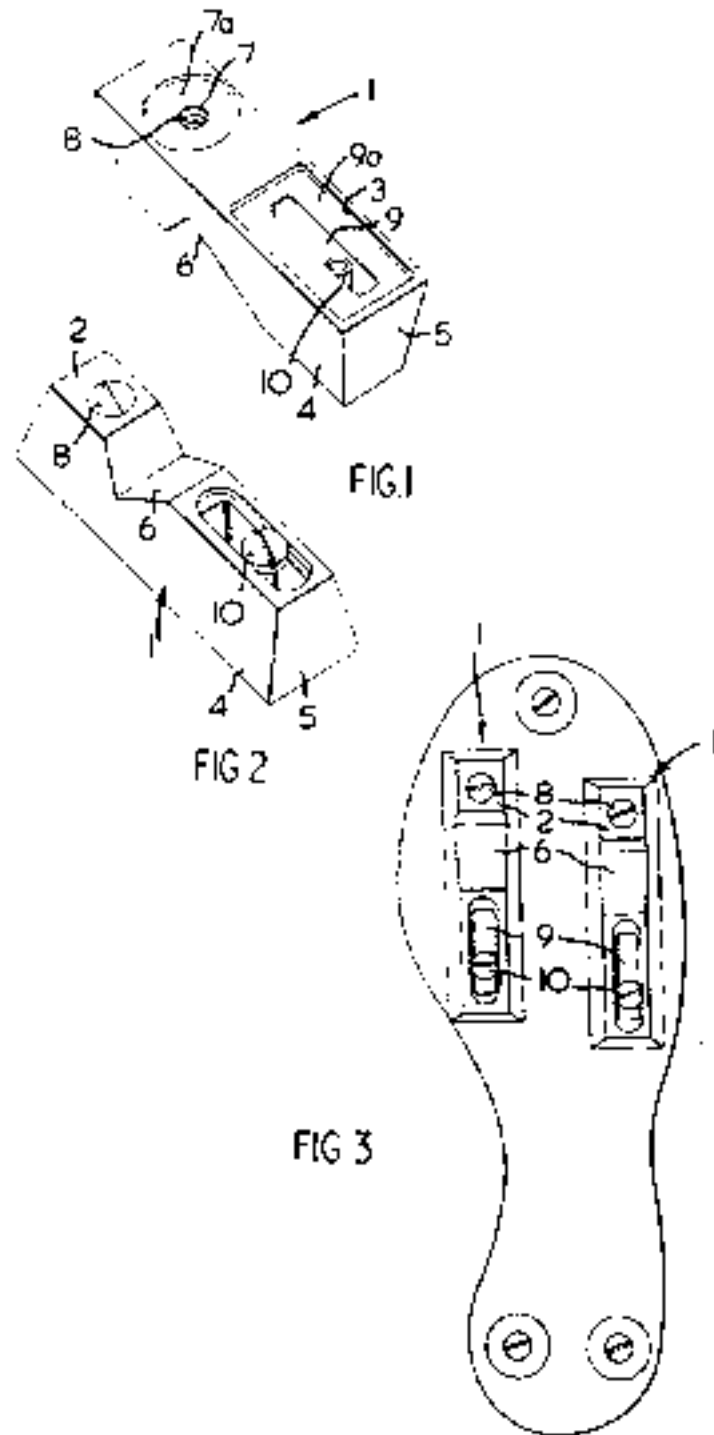
SUNDAY	MONDAY	TUESDAY	WEDNESDAY	THURSDAY	FRIDAY	SATURDAY
1	2	3 "FUEL" - #27,483 E. B. A. ZWOYER - 1897	4	5 "SMOKE DETECTOR" #3,460,124 KENNETH R. - 1942	6	7
8 "VEHICLE TIRE" #1,000,000 F. H. HOLTON - 1911	9 "INTERNAL COMBUSTION ENGINE" - #608,845 R. DIESEL - 1898	10 "CONVERTIBLE BICYCLE" #D864,040 STRIDER SPORTS INT'L INC 2017	11	12 "GOLF CLUB STAND" # 8,414,415 STEVEN J. TWOHIG - 2011	13	14 "SPACE SUIT" #3,751,727 GRANTED TO NASA - 1973
15 "IMPROVEMENT IN SURGICAL OR DENTAL- OPERATING CHAIRS" #5,711 M. WALDO HANCHETT - 1848	16	17	18 "HELMET" #2,293,308 J. T. RIDDELL SR. - 1942	19 "IMPROVEMENT IN SEWING MACHINES" #141,987 - 1873	20	21
22	23	24	25 "PHOTOGRAPHIC CAMERA" #2,052,261 CHARLES A. VERSCHOOR 1942	26	27 "DELETABLE NANOTUBE CIRCUIT" - #7,846,781 DEEP SCIENCE LLC - 2008	28 "CORK TURNER" #283,900 GEORGE W. KORN - 1883
29 "AUTOMATED DATA ENTRY SYSTEM" - #7,596,545 UNIVERSITY OF KANSAS 2005	30	31				

#3,403,361 FOOTBALL CLEAT

Harold A. McCarney
November 8, 1967

Just in time for football season, the football cleat is a vital part of the game and allows players to move swiftly across the field. While football cleats have evolved over the years, this screw-in football cleat was created to help players improve traction on the field.

McCarney's invention, simply screwed into athletes' shoes. The invention became especially useful when performing in slippery conditions.



SUITER|SWANTZ
intellectual property

www.suiter.com

402.496.0300

SEPTEMBER 2021

SUNDAY	MONDAY	TUESDAY	WEDNESDAY	THURSDAY	FRIDAY	SATURDAY
			1 "METHOD FOR CONDUCTING AN ON-LINE BIDDING SESSION WITH BID POOLING" #7,277,867 HANGER SOLUTIONS LLC 2000	2	3	4 "GAS FIRED BARBECUE KETTLE" - #3,688,758 GEORGE A. STEPHEN - 1972
5	6 Labor Day	7	8	9	10	11 "METAL ROLLS FOR PAINT" #2,252 JOHN RAND - 1841
12	13 "APPARATUS AND METHOD FOR DISPERSING A CHEMICAL AGENT" #9,744,543 GELCO SUPPLY INC. - 2013	14	15 "BINOCULAR MICROSCOPE" #739,182 FREDERIC E. IVES - 1903	16	17	18 "A SPLIT VOLTAGE NON- VOLATILE LATCH CELL" #9,620,225 GELCO SUPPLY INC - 2015
19	20 "SYNTHETIC FIBER" #2,130,948 - WALLACE H. CAROTHERS - 1938	21	22	23 "PRODUCTION OF POTATO CHIPS" #2,611,705 CARL E. HENDEL - 1952	24 1877 U.S. Patent Office Fire	25
26 "TYPE-WRITING MACHINE" #633,672 - HERMAN L. & FRANZ X. WAGNER - 1899	27 "IMPROVEMENT IN MOUSE- TRAPS" #107,647 JOSEPH B. FRIEDMAN - 1937	28 "HYDRAULIC CYLINDER" # 7,284,472 GOMACO CORP - 2005	29	30 "PROPELLING DEVICE FOR ELECTRIC CARS" #437,428 THOMAS EDISON - 1890		

#4,828,114 PUMPKIN CARVING KIT

John B. Pardeen
May 9, 1989

From welcoming faces to intricate landscapes, pumpkin carving has become a tradition for many during the fall season.

In 1989, pumpkin carving became easier with the help of a pumpkin carving kit. The kit includes cutting tools, a pattern sheet, and decorative designs.

As the tradition continues, pumpkin carving kits have become more intricate with complex designs and tools.

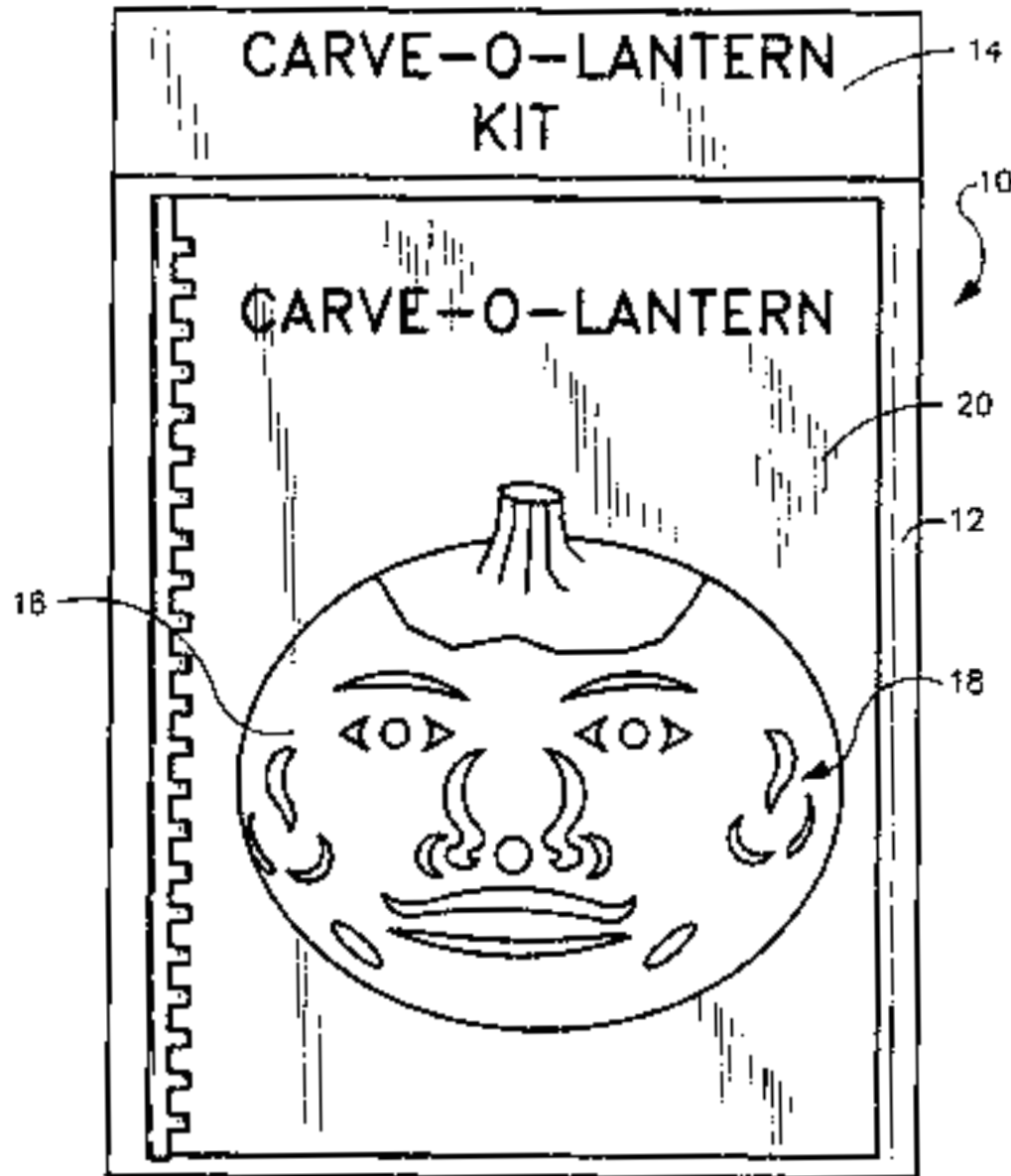


FIG. 1

SUITER|SWANTZ
intellectual property

www.suiter.com

402.496.0300

OCTOBER 2021

SUNDAY	MONDAY	TUESDAY	WEDNESDAY	THURSDAY	FRIDAY	SATURDAY
					1	2
3 "IMPROVEMENT IN MICROSCOPES" - #182,919 ERNST GUNDLACH - 1876	4 "ELECTROLUMINESCENT DIAL FOR ANALOG WATCH" #4,775,964 - R. D. ALESSIO & FRANK OLSEN - 1988	5 "WINE GLASS HOLDER" #D884,441 MARK EILER - 2018	6 "ELECTROPHOTOGRAPHY" #2,297,691 CHESTER F. CARLSON - 1988	7	8	9 "MEDICAL CARDIAC PACE-MAKER" #3,057,356 WILSON GREATBATCH - 1962
10	11	12	13	14 "POSTAGE STAMP DEVICE" #710,997 A. H. PITNEY - 1902	15 "TOILET PAPER STORAGE CABINET AND DISPENSER" #D511,429 TOU LOR - 2004	16
17	18 "BREAD TOASTER" #1,394,450 C. P. STRITE - 1921	19 "TELEVISION APPARATUS" #2,299,328 R. D. KELL - 1942	20	21	22 "COMPOSITE PROSTHETIC FOOT AND LEG" - #4,547,913 VAN L. PHILLIPS - 1985	23 "TOY BUILDING BRICK" (LEGO) #3,005,282 G. K. CHRISTIANSEN - 1961
24	25 "PRESERVING CONTENT OF SERIAL USE DEVICES IN VIEW OF PURGE" - #7,441,089 INVENTION SCIENCE FUND I LLC - 2004	26	27	28 "SINGLE HANDLE WATER FAUCET" - #3,915,195 ALEX MANOOGIAN AND ERIC V. PULLEN - 1975	29	30 31 Halloween

#5,758,569 POULTRY FRYING APPARATUS

Rodney Barbour
Patented June 2, 1998

This patented frying apparatus is designed to achieve a perfectly prepared Thanksgiving turkey. The invention has a central rod attached to a perforated plate that is used to support a turkey as it is lowered and removed into a large container of hot oil.

The frying apparatus also includes a grab hook that allows a user to avoid burns from hot oil exposure when removing or inserting the turkey.



FIG. 4

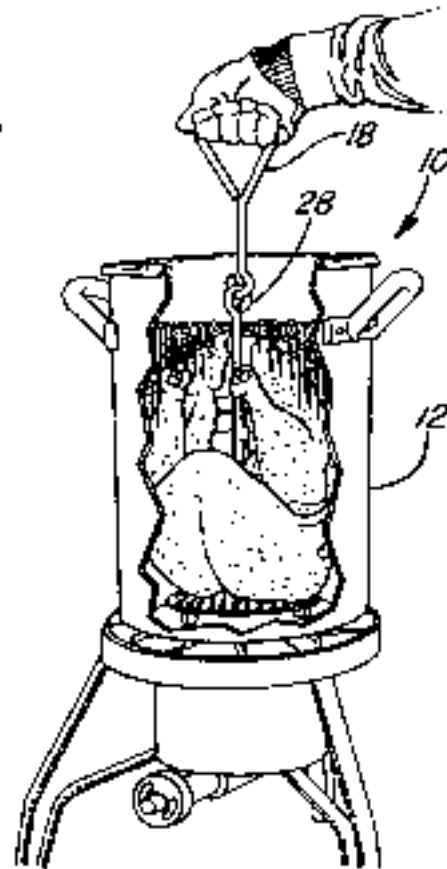


FIG. 5

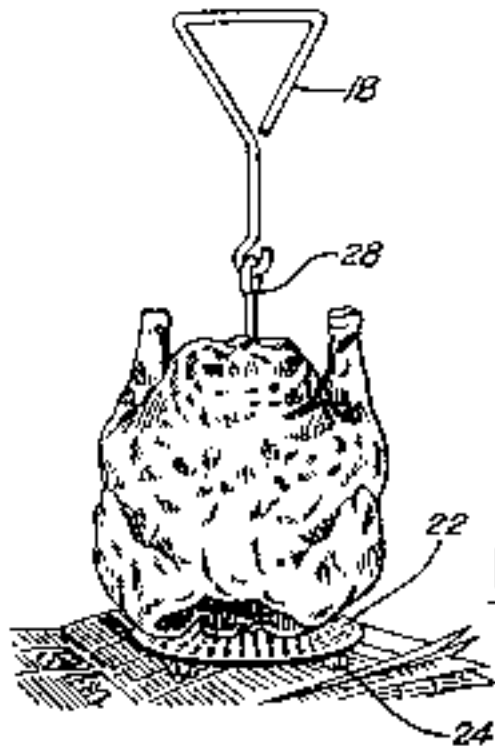


FIG. 6

SUITER|SWANTZ
intellectual property

www.suiter.com

402.496.0300

NOVEMBER 2021

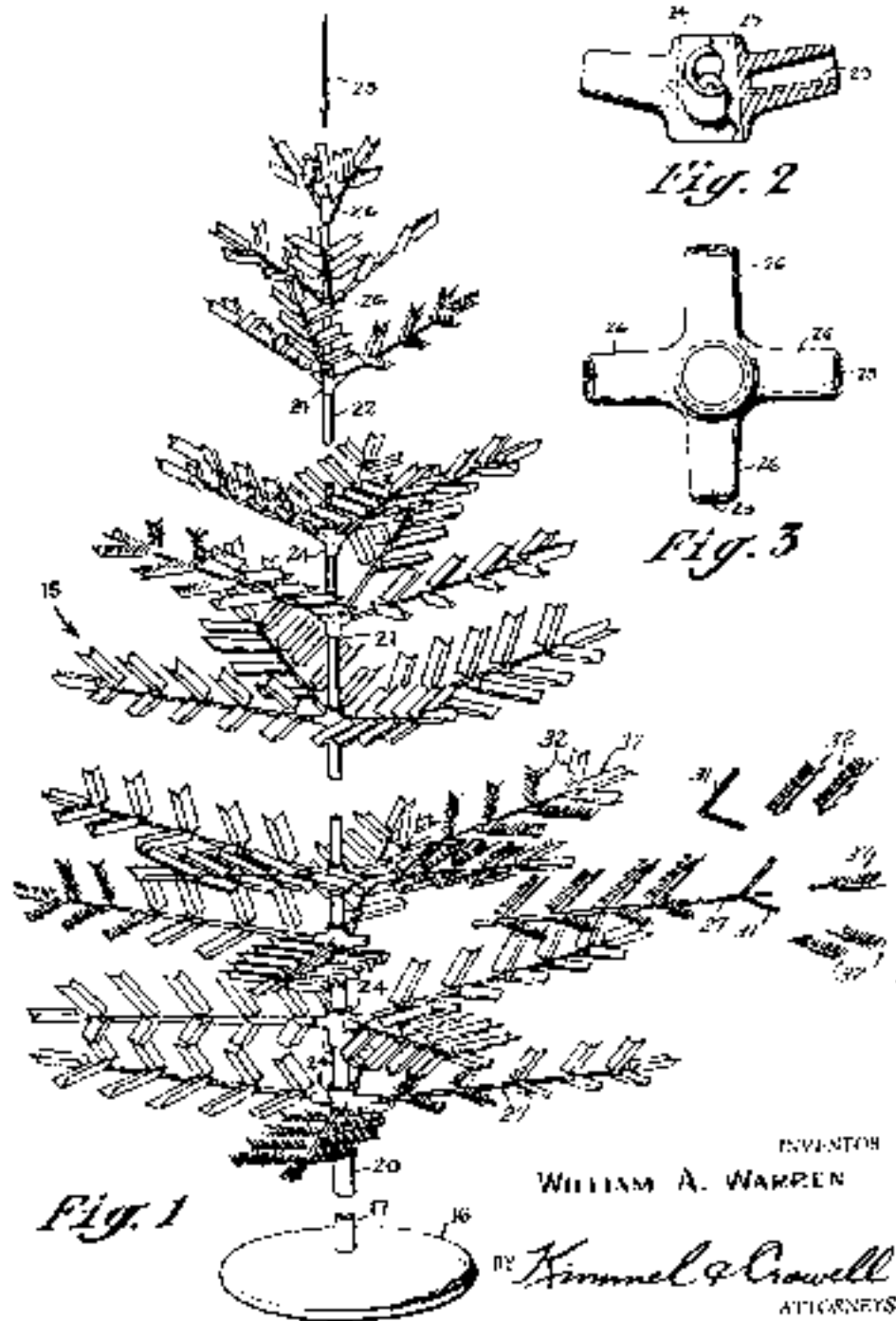
SUNDAY	MONDAY	TUESDAY	WEDNESDAY	THURSDAY	FRIDAY	SATURDAY
	1	2	3 "COLOR PHOTOGRAPHY" #2,059,884 LEOPOLD D. MANNES - 1936	4 "CASH REGISTER AND INDICATOR" #221,360 JAMES RITTY - 1879	5	6
7	8 "INFLATABLE TOWABLE VEHICLE (WATER WIZARD) #D678,447 LEROY L. PETERSON - 2011	9 "REACTION DEVICE CONTROLLED BY MAGNETIC CONTROL SIGNAL" #8,585,684 GEARBOX LLC - 2005	10 "APPARATUS FOR PRESERVING BLOOD" #2,301,710 JOHN SCUDDER - 1942	11 Veterans Day	12	13
14	15 "RAILWAY TELEGRAPHY" #373,383 G. T. WOODS - 1887	16 "AIRCRAFT WATER HEATING TANK AIR VENT VALVE" #9,903,503 BE AEROSPACE - 2005	17	18 "SKATEBOARD" - #4,234,204 KERRY W. TIBBALS - 1980	19	20 "WHIRLIGIG" (YO YO) - #59,745 JAMES L. HAVEN & CHARLES HETRICK - 1866
21 "GUITAR" - #2,960,900 CLARENCE FENDER - 1960	22	23	24 "WIRE FENCES" - #157,124 J. F. GLIDDEN - 1874	25 Thanksgiving	26	27
28 "ROASING APPARATUS" #1.436,86 CHARLES CRETOR - 1922	29 "GLASS JAR" - #22,186 J. L. MASON - 1858	30				

#2,826,845 ARTIFICIAL CHRISTMAS TREE

William A. Warren
Patented March 18, 1958

For years, real trees were the only option available for holiday decorating. The invention provides the same structure and appearance as a natural Christmas tree.

Many artificial trees are designed for easy assembly and often come with lights. Once the season is over, artificial trees come apart and are simple to store.



SUITER|SWANTZ
intellectual property

www.suiter.com

402.496.0300

DECEMBER 2021

SUNDAY	MONDAY	TUESDAY	WEDNESDAY	THURSDAY	FRIDAY	SATURDAY
			1	2	3	4
				"SHOE FOR ARTISTIC DANCING" - #1,079,941 F. HENSCHEL - 1913	"INFLATABLE SAFETY DEVICE" #3,414,292 SIDNEY OLDBERG - 1968	"PRODUCTION OF SOUND" #1,983,377 E. HENSCHEL - 1913
5	6	7	8	9	10	11
	"FLOWER HAT" - #D665,153 MAXIMILLAN J. SUITER - 2011	"MOTOR VEHICLE" #2,101,057 BUCKMINSTER FULLER - 1937		"CARBON TELEPHONE" #222,390 THOMAS EDISON - 1879	"AUTONOMOUS INTEGRATED FARMING SYSTEM" #10,721,857 REALMFIVEINC - 2018	
12	13	14	15	16	17	18
	"CALL URGENCY SCREENING" #8,189,755 UNIFY INC - 2010	"APPARATUS FOR FINISHING DRYWALL WITHOUT SANDING" #9,889,464 CLARK T. WINNE - 2012		"STETHOSCOPE" - #8,591 NATHAN B. MARSH - 1851	"AIRPLANE" - #2,225,094 DONOVAN R. BERLIN - 1940	"MISTLETOE SUPPORTING HEADBAND" - #4,488,316 RONALD J. MOSCA - 1984
19	20	21	22	23	24	25
		"WAVE TRANSLATION SYSTEM" - #2,102,671 HAROLD S. BLACK - 1937	"MAGNETO-ELECTRIC MACHINE" - #222,881 THOMAS EDISON - 1879		Christmas Eve	Christmas
26	27	28	29	30	31	
"FLYING SAUCER" (FRISBEE) - #3,359,678 EDWARD E. HEADRICK - 1967	"ELECTRICAL DISCHARGE DEVICE" - #1,892,244 IRVING LANGMUIR & KENNETH H. KINGDON - 1932		"METAL RAKE" #2,066,036 CHESTER GREENWOOD - 1936		New Year's Eve	

SUITER|SWANTZ
intellectual property

Suiter Swantz IP is a full-service intellectual property law firm providing client-centric patent, trademark, and copyright services.

We understand the importance of protecting your innovation and can help guide you through the IP landscape in a manner that minimizes cost while maximizing value.

For more than 25 years, our firm has helped a variety of organizations ranging from individual inventors and early-stage startups to international multi-billion-dollar corporations navigate the complex landscape of intellectual property procurement and protection.

If you need assistance with an intellectual property matter and would like to speak with one of our patent attorneys, please contact us at **info@suiter.com**.



Suiter Swantz Intellectual Property
Patents | Trademarks | Copyrights

14301 FNB Pkwy, Suite 220
www.suiter.com

Omaha, NE 68154
402.496.0300