



**Espacenet**

## Bibliographic data: EP2373514 (A1) — 2011-10-12

### ARRANGEMENT FOR TRANSFERRING FUEL FROM ONE OR SEVERAL SECONDARY TANKS TO A MAIN TANK

**Inventor(s):** FAGERHOF HENRIK [SE] ± (FAGERHOF, HENRIK, ; FAGERHOF, Henrik)

**Applicant(s):** SCANIA CV AB [SE] ± (SCANIA CV AB, ; Scania CV AB)

**Classification:** - **international:** **B60K15/077; F02M37/00; F02M37/02**  
 - **cooperative:** **B60K15/077; F02M37/0052; F02M37/0088; F02M37/025; B60K2015/03118; B60K2015/03144**

**Application number:** EP20090830655 20091124 [Global Dossier](#)

**Priority number(s):** [WO2009SE51323 20091124](#) ; [SE20080050118 20081205](#)

**Also published as:** [EP2373514 \(A4\)](#) [EP2373514 \(B1\)](#) [BRPI0914075 \(A2\)](#) [SE0850118 \(A1\)](#) [SE533259 \(C2\)](#) [more](#)

**Abstract not available for EP2373514 (A1)**

**Abstract of corresponding document: WO2010064972 (A1)**

The present invention relates to an arrangement for transfer of fuel from a secondary tank (12) to a main tank (11). The arrangement comprises: - a main tank (11) intended to contain fuel for an engine, - one or more secondary tanks (12) intended to contain fuel, - a transfer line (13) intended for transfer of fuel from the respective secondary tank (12) to the main tank (11), and - a line (14) intended to carry return fuel back from the engine to the main tank (11). The invention is characterised in that fuel is transferred from the secondary tank (12) or secondary tanks to the main tank (11) via a venturi pipe (20) connected along the return fuel line (14), and that the transfer line (13) or transfer lines is /are so connected to the venturi pipe (20) that fuel is thereby sucked from the secondary tank (12) or secondary tanks to the main tank (11), thus providing assurance that the fuel in the secondary tank (12) or secondary tanks will be transferred to the main tank (11).

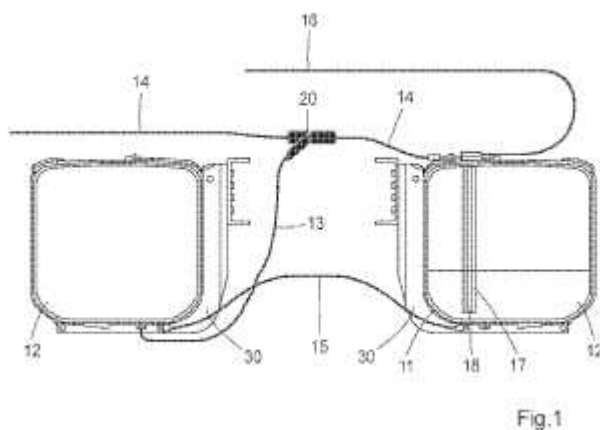


Fig.1

