

233,305

## RAKE HEAD

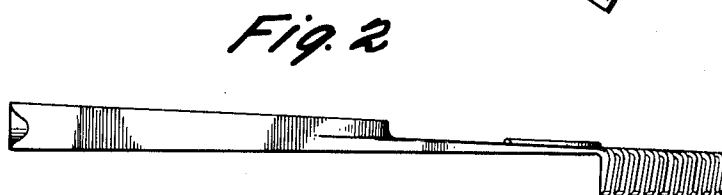
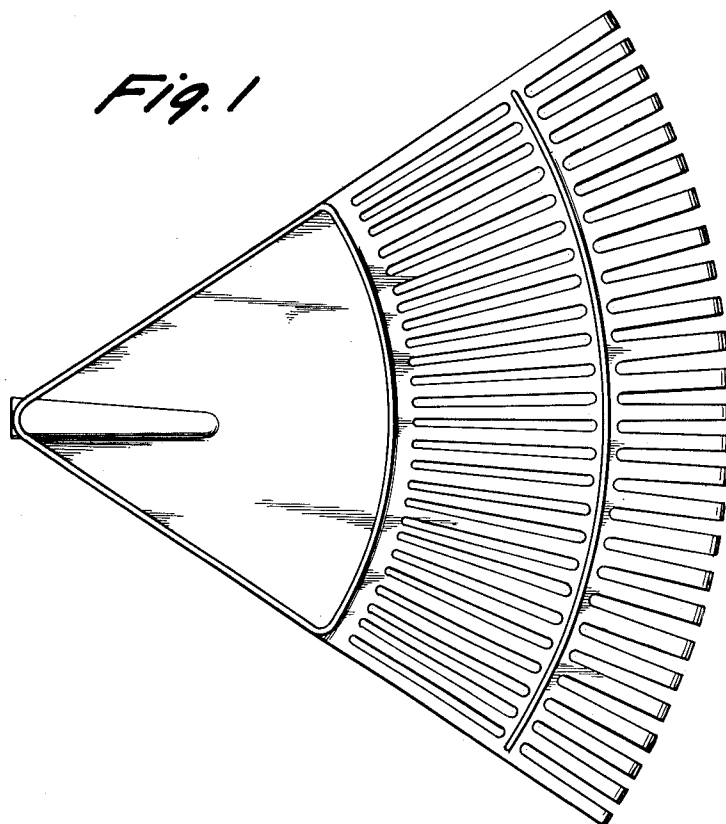
Harold O. Eads, Parkersburg, W. Va., assignor to  
McDonough Co., Parkersburg, W. Va.

Filed May 23, 1972, Ser. No. 256,213

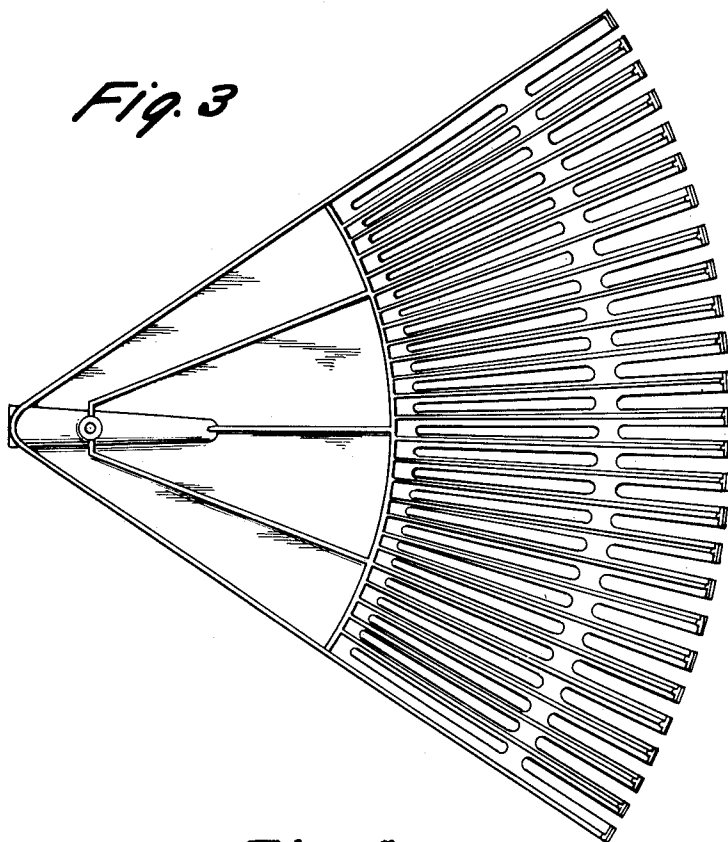
Term of patent 14 years

Int. Cl. D8—01

U.S. Cl. D8—13



*Fig. 3*



*Fig. 4*



FIG. 1 is a top plan view of a rake head, showing my new design;

FIG. 2 is a side elevational view thereof;

FIG. 3 is a bottom plan view thereof; and

FIG. 4 is a rear elevational view thereof.

I claim:

The ornamental design for a rake head, as shown.

**References Cited**

UNITED STATES PATENTS

D. 54,878	4/1920	Tsuchiya	-----	D8-13
D. 223,743	6/1972	Vaughan et al.	-----	D8-13
D. 223,793	6/1972	Hart	-----	D8-13
2,847,816	8/1958	Hart	-----	56-400.17
3,332,223	7/1967	Polisso	-----	56-400.17

BERNARD ANSHER, Primary Examiner