

U.S. PATENT CALENDAR

2020

SUITER|SWANTZ
intellectual property

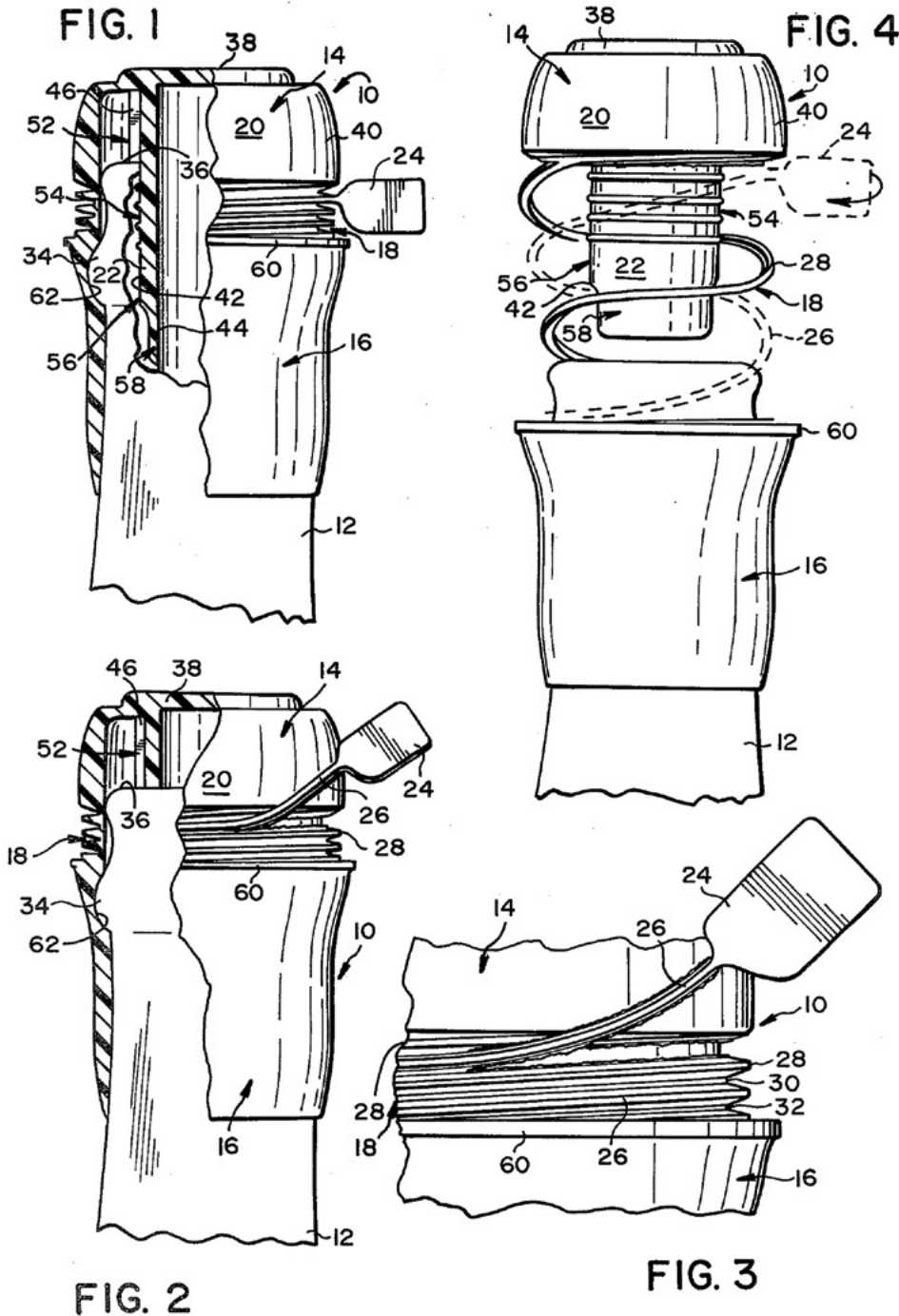
“Transforming Innovation into Assets”

#4,474,302

SAFETY CHAMPAGNE CORK

James R. Goldberg & Albert J. Kurtz

Patented October 2, 1984



On October 2, 1984, James R. Goldberg and Albert J. Kurtz were granted U.S. Patent No. 4,474,302 for the "Safety Champagne Cork."

The tethered safety closure device of the invention is for use on bottles containing pressurized liquids such as champagne or sparkling wines.

Goldberg and Kurtz invented the safety champagne cork to help prevent injuries and other damage caused by flying corks.

According to the patent, "Because of pressure inside a bottle of champagne or sparkling wine, particularly if the wine has been shaken or is warmer than recommended, a cork can be propelled from the bottle at a velocity of well over 100 mph."

SUITER|SWANTZ
intellectual property



JANUARY 2020



SUNDAY	MONDAY	TUESDAY	WEDNESDAY	THURSDAY	FRIDAY	SATURDAY
			1 New Year's Day	2	3 "ROUNDAABOUT" (FERRIS WHEEL) - #489,238 WILLIAM SOMERS - 1893	4 "AERIAL MACHINE" #945,514 WILLIAM E. GOBLE - 1910
5 "MECHANICAL MUSICAL INSTRUMENT" - #908,798 JOHN MCTAMMANY - 1909	6	7	8	9 "LOUD-SPEAKER HORN" #2,537,141 P. W. KLIPSCH - 1951	10 "BASE BALL MASK" #376,278 G. BARNARD - 1888	11 "BOWLING PIN" #2,105,045 KARL KRAFT - 1938
12 "APPARATUS FOR COOLING AND DISINFECTING" #334,078 L. H. LATIMER - 1886	13	14 "ELECTROACOUSTIC TRANSDUCER" - #3,118,022 G. M. SESSLER - 1964	15 "GAME BOARD" (BATTLESHIP) - #1,988,301 L. COFFIN - 1935	16	17 "BOAT HULL CONSTRUCTION" - #2,144,111 A. J. HIGGINS - 1939	18
19	20 Martin Luther King Jr. Day	21	22	23	24	25 "ICE CREAM CONE" #1,615,680 M. E. BUHSE - 1922
26	27 "ELECTRIC LAMP" #223,898 THOMAS EDISON - 1880	28 "BREWING BEER AND ALE" #135,245 L. PASTEUR - 1873	29	30 "ELECTRICAL MUSICAL INSTRUMENT" - #3,018,680 L. PAUL - 1962	31	

[54] LOVE BOX
 [76] Inventors: Dale A. Ledman, c/o George Spector, 3615 Woolworth Bldg., 233 Broadway; George Spector, 3615 Woolworth Bldg., 233 Broadway, both of New York, N.Y. 10007

2,657,793	11/1953	Goldshine	206/45.13
2,675,911	4/1954	Thurston	206/45.13
2,684,757	7/1954	McCarthy	206/45.13
3,418,740	12/1968	Gray	40/313
3,822,781	6/1974	Braginetz	206/45.14

FOREIGN PATENT DOCUMENTS

14332	of 1899	United Kingdom	40/313
1005574	9/1965	United Kingdom	40/312

Primary Examiner—Herbert F. Ross

[57] ABSTRACT

A box for use as a token between lovers for assuring their love to each other; the box including an instruction sheet that states the box is filled with love, and no matter how often it is opened, it can never be emptied; and to get a little love, the box should be opened for a short time, while to receive all the person's love it should be left open all the time; the box including a case and a removable cover.

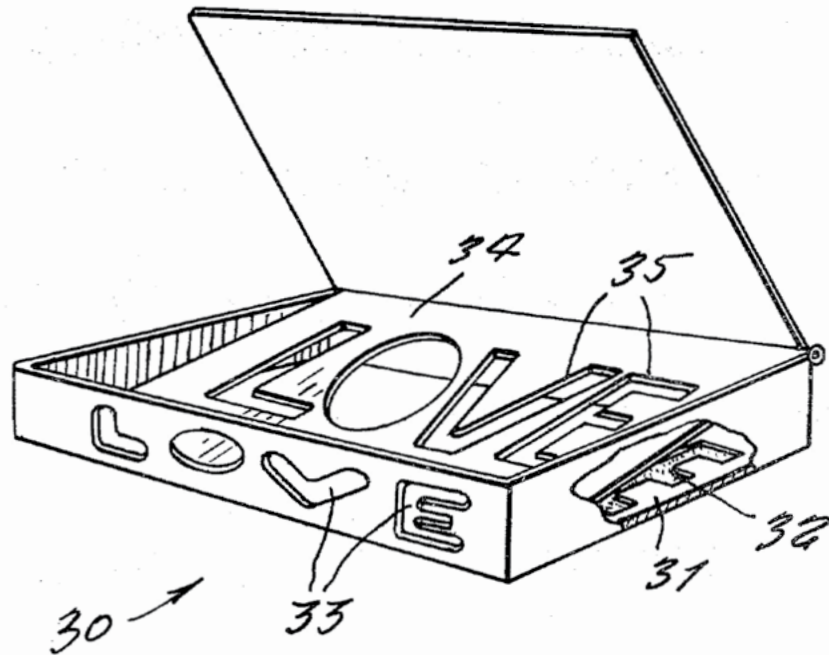
1 Claim, 5 Drawing Figures

[21] Appl. No.: 887,860
 [22] Filed: Mar. 17, 1978
 [51] Int. Cl.² B65D 73/00
 [52] U.S. Cl. 206/573; 40/313
 [58] Field of Search 40/312, 313, 539, 542, 40/459, 475, 448, 491, 508, 573; 206/459, 45.13, 573

References Cited

U.S. PATENT DOCUMENTS

1,414,682	5/1922	Zautner	40/313
1,450,477	4/1923	Allworth	206/45.13
1,568,982	1/1926	Lengsfeld	40/312
2,595,973	5/1952	Neugass	40/542
2,622,955	12/1952	Kramer	206/45.13



#4,194,629 LOVE BOX

Dale A. Ledman & George Spector
 Patented March 25, 1980

On March 25th, 1980 Dale A. Ledman and George Spector were granted U.S. Patent No. 4,194,629 for the "LOVE BOX."

According to the patent, the box is "for use as a token between lovers for assuring their love to each other."

The love box includes an instruction sheet that states that "the box is filled with love, and no matter how often it is opened, it can never be emptied."

"To get a little love, the box should be opened for a short time, while to receive all the person's love it should be left open all the time."

The box also includes a case and removable cover as well.

SUITER|SWANTZ
 intellectual property



FEBRUARY 2020



SUNDAY	MONDAY	TUESDAY	WEDNESDAY	THURSDAY	FRIDAY	SATURDAY
						1
2 “DUAL-VENT WINDOW” #3,168,172 ALFONSO ALVAREZ - 1965	3	4 “TETRAFLUOROETHYLENE POLYMERS” - #2,230,654 ROY J. PLUNKETT - 1941	5	6 “CYMBAL” #2,189,095 - AVEDIS ZILDJIAN GRISWOLD - 1965	7	8 “PAPER-ROLL” #1,170,590 SETH WHEELER - 1916
9 “COMPACT HAND-HELD VIDEO GAME SYSTEM” (GAMEBOY) - #5,184,830 SATORU OKADA & SHIN KOJO - 1993	10 “METHOD OF MAKING A TRANSPARENT ARTICLE OF SILICA” - #2,272,342 J. FRANKLIN HYDE - 1942	11 National Inventor’s Day	12	13	14 Valentine’s Day	15 “LIGHTER FOR MECHANIZED EQUIPMENT” - #2,341,866 A. J. HIGGINS - 1941
16	17 Presidents’ Day	18 “ADHESIVE BANDAGE” #2,823,672 P. SCHLADERMUNDT - 1958	19 “PHONOGRAPH” #200,521 THOMAS EDISON - 1878	20	21 “PLOW” #46,454 JOHN DEERE - 1865	22
23 “METHOD AND MEANS OF USING MOTOR FUELS” #1,573,846 THOMAS MIDGELY JR - 1926	24	25	26 “ATHLETIC SHOE FOR ARTIFICIAL TURF” #3,793,750 - WILLIAM J. BOWERMAN - 1974	27 “ATHLETIC SHOE CLEAT FASTENER” - #3,793,750 JOHN T. RIDDELL - 1934	28 “CROQUET GAME” #3,793,750 WARNER G. LAKE - 1899	29

Design Patent #335,678 EYEGLASSES WITH CLOVER

Craig T. Jones & David M. Vaughan

Patented May 18, 1993

On May 18, 1993, Craig T. Jones and David M. Vaughan were granted U.S. Design Patent No. 335,678 for "Eyeglasses with Clover."

These sunglasses were designed with shamrocks placed over the top of each lens and are popular at St. Patrick's Day parades and festivities.

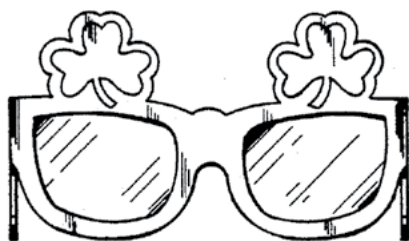


Fig-1



Fig-2

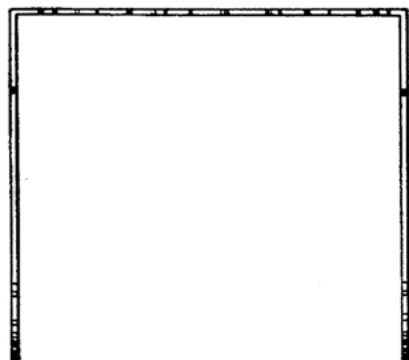


Fig-4

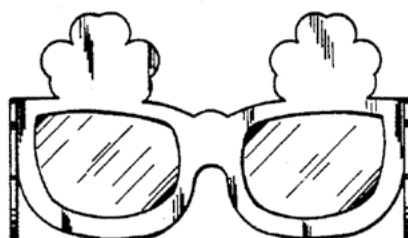


Fig-3

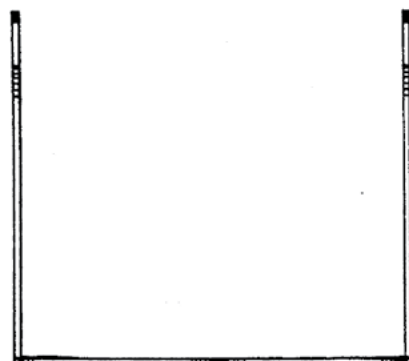


Fig-5

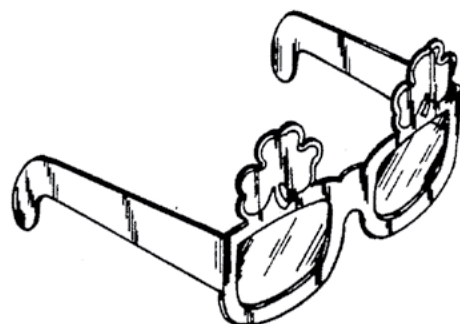


Fig-6

SUITER|SWANTZ
intellectual property



MARCH 2020



SUNDAY	MONDAY	TUESDAY	WEDNESDAY	THURSDAY	FRIDAY	SATURDAY
1 "DIVER'S SUIT" #1,370,316 HARRY HOUDINI - 1921	2	3	4	5 "HOOP TOY" #3,079,728 A. K. MELIN - 1963	6 "SOFT ORTHOPEDIC POUCH -TYPE INFANT CARRIER" #4,434,920 ANN A. MOORE - 1984	7
8 "POSTAGE-METER AND MAIL-MARKING MACHINE" #1,370,668 ARTHUR H. PITNEY - 1921	9	10	11 "SOCCER TABLE WITH GOAL AND PENALTY OPENING" #3,870,303 - LAWRENCE T. PATTERSON JR. - 1975	12	13 "DEVICE FOR WRITING" #4,907,824 YAKOV SMIRNOFF - 1990	14 "APPARATUS FOR EXHIBITING PHOTOGRAPHS OF MOVING OBJECTS" #493,426 THOMAS EDISON - 1893
15	16 "REPOSITIONAL PRESSURE SENSITIVE ADHESIVE SHEET MATERIAL" - #5,194,299 ARTHUR FRY - 1993	17 St. Patrick's Day	18 "ASH CATCHER FOR CHARCOAL GRILL" #4,576,140 ERICH J. SCHLOSSER - 1986	19	20	21 "BICYCLE FRAME" #2,151,533 FRANK W. SCHWINN - 1939
22 "BASE BALL CATCHER" #755,209 J. E. BENNETT - 1904	23 "WRENCH" #1,133,236 KARL PETERSON - 1915	24	25 "BASE BALL GLOVE AND MITT" - #1,056,909 CHARLES M. KING - 1913	26	27 "PROGRAMMABLE BUOY SYSTEM" #9,927,529 - MATTHEW P. & KEVIN J. MORIN - 2018	28
29 "SPATIAL LOGICAL TOY" (RUBIK'S CUBE) - #4,378,116 ERNO RUBIK - 1983	30	31 "PIANO FRAME" #314,742 C. F. T. STEINWAY - 1885				

J. AHERN & L. FREDERICK.
UMBRELLA.
APPLICATION FILED NOV. 11, 1911.

1,033,651.

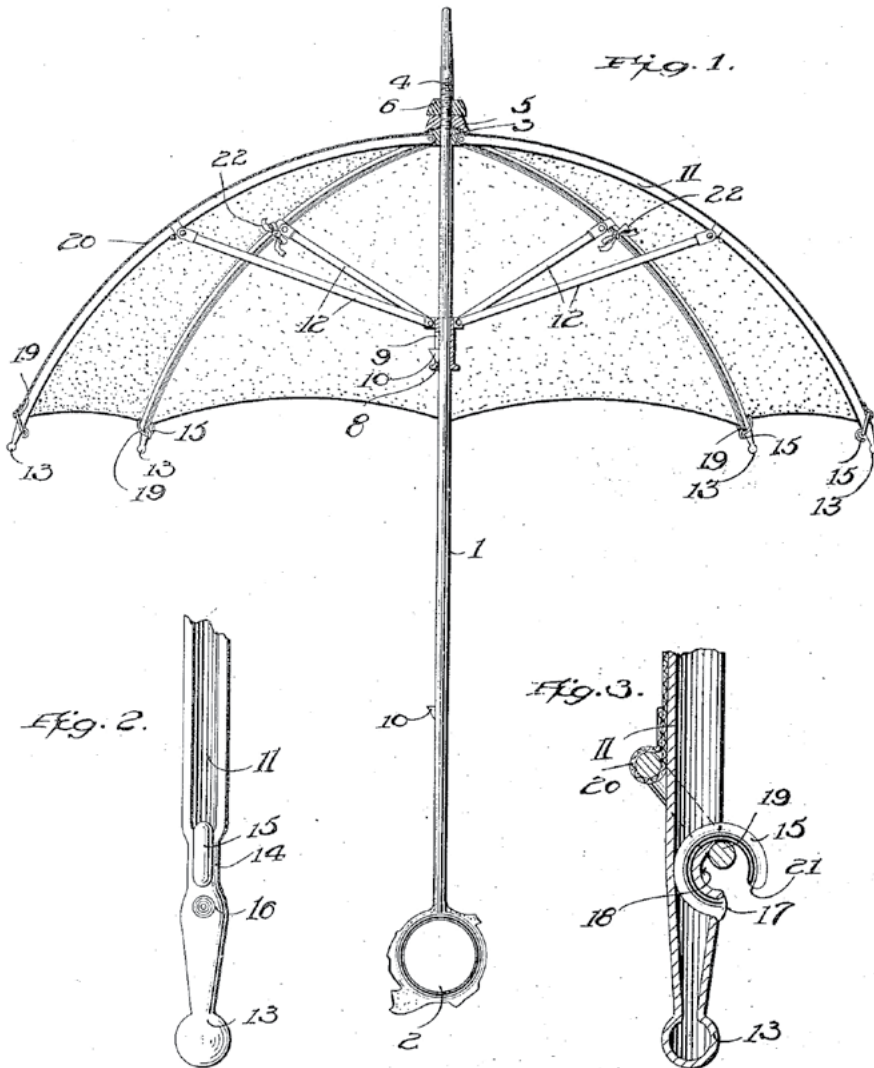
Patented July 23, 1912.

1,033,651 UMBRELLA

James Ahern & Lester Frederick
Patented July 23, 1912

On July 23, 1912, James Ahern and Lester Frederick were granted U.S. Patent No. 1,033,651 for improvements in Umbrellas.

Their invention consisted of certain novel constructions, combinations and arrangements of parts; particularly, the "means for facilitating the attaching to and detaching of a cover from the frame of an umbrella."



WITNESSES:
James
J. W. L. McCallahan

INVENTORS
James Ahern
Lester Frederick

By *E. C. Crooman*, Attorney

SUITER|SWANTZ

intellectual property

www.suiter.com 402.496.0300



APRIL 2020

SUNDAY	MONDAY	TUESDAY	WEDNESDAY	THURSDAY	FRIDAY	SATURDAY
			1	2 "BANJO" #536,649 OLE H. OLESEN - 1895	3 "DUAL RAZOR BLADE ASSEMBLY" - #3,724,070 FRANCIS W. DORION - 1973	4
5	6 "PARLOR SKATE" #88,711 I. HODGSON - 1869	7	8	9 "FOLDING BASKET CARRIAGE FOR SELF- SERVICE STORES" #2,196,914 SYLVAN N. GOLDMAN - 1940	10 "PIN" #6,281 W. HUNT - 1849	11
12 Easter	13	14 "FLAKED CEREALS AND PROCESS OF PREPARING SAME" - #558,393 - JOHN HARVEY KELLOGG - 1896	15	16	17 "TELEVISION GAMING AND TRAINING APPARATUS" #3,728,480 RALPH H. BAER - 1973	18
19 "COMPRESSOR STATOR ASSEMBLY" - #2,933,234 GERHARD NEUMANN - 1960	20	21	22 "IMPROVEMENT IN THEATER APPLIANCES" - #214,663 WILLIAM L. HUNT - 1879	23 "LEAKPROOF DRY CELL" #2,198,423 - HERMAN R. C. ANTHONY - 1940	24	25 "HIGHWAY GUARD RAIL" #1,905,377 S. R. GARNER - 1932
26 World IP Day	27 "HANDCUFF" #226,949 HERMANN AHREND - 1880	28 "ADDRESSING MACHINE" #558,936 JOSEPH S. DUNCAN - 1896	29	30		

Aug. 18, 1931.

H. F. BOSENBERG
CLIMBING OR TRAILING ROSE
Filed Aug. 6, 1930

Plant Pat. 1

Plant Patent 1 CLIMBING OR TRAILING ROSE

Henry F. Bosenberg
Patented August 18, 1931

On August 18, 1931, Henry Bosenberg was granted a plant patent for the "Climbing or Trailing Rose."

The climbing rose or "New Dawn" was the first plant patent granted by the United States Patent and Trademark Office (USPTO).

According to the patent application, "the rose will acquire considerable length and when given moderate support, 'climb' and branch out in various directions."

The New Dawn rose was also unique because it had a "true ever-blooming character" which is a longer blooming period than most climbing roses.



Fig. 1



Fig 2

INVENTOR,
Henry F. Bosenberg.
Per *Agent.*
Orville M. Kila

SUITER|SWANTZ
intellectual property

www.suiter.com

402.496.0300



MAY 2020

SUNDAY	MONDAY	TUESDAY	WEDNESDAY	THURSDAY	FRIDAY	SATURDAY
					1 "ELECTRICAL TRANSMISSION OF POWER" #382,280 NIKOLA TESLA - 1888	2 "CASSETTE TAPE RECORDER" #4,827,363 SHIZOU TAKASHI & YOSHIO SEGAWA - 1989
3 "IGNITION INTERLOCK BREATHALYZER" #7,934,577 MICHAEL W. WALTER & DOUGLAS E. DEVRIES - 2011	4	5	6 "ICE MACHINE" #8,080 J. GORRIE - 1851	7	8 "RATCHET WRENCH" #1,957,462 WILLIAM C. KRESS - 1934	9 "PIEZO-ELECTRIC CRYSTAL" #1,907,426 - WARREN A. MARRISON - 1933
10 Mother's Day	11	12 "PNEUMATIC TREADED VEHICLE WHEEL" #1,537,879 A. L. PUTNAM - 1925	13	14 "IMPROVEMENT IN SELF-LIGHTING LAMPS FOR LIGHTHOUSES" - #204,806 JOSEPH FORREST - 1878	15	16
17	18 "STENOGRAPHIC MACHINE" #2,319,273 JOHN G. STERLING - 1943	19	20	21 "COMPOSITE CELLULOSE FILM" - #1,266,766 JACQUES A. BRANDENBERGER - 1918	22 "MANNER OF BUOYING VESSELS" - #6,469 ABRAHAM LINCOLN - 1849	23
24 31	25 Memorial Day	26	27 "ADHESIVE TAPE" #1,760,820 R. G. DREW - 1928	28	29 "IMPROVEMENT IN THE CONSTRUCTION OF EAR TRUMPETS" - #12,951 EDWARD G. HYDE - 1855	30 "ZIGZAG SEWING MACHINES" - #2,986,107 ALLAN HERMAN ERIKSSON - 1961

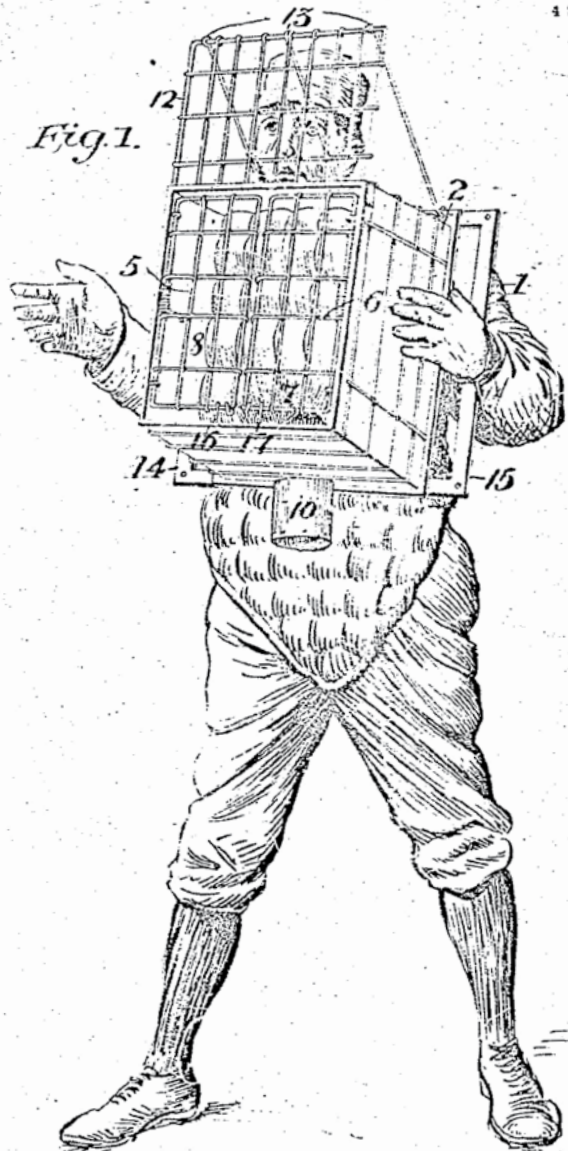
No. 755,209.

PATENTED MAR. 22, 1904.

J. E. BENNETT.
BASE BALL CATCHER.
APPLICATION FILED FEB. 22, 1903.

NO MODEL.

4 SHEETS—SHEET 1.



Witnesses
H. J. Roden
B. F. Gray.

Inventor
James Edward Bennett
By Joseph W. Sower
att'y

#755,209 BASE BALL CATCHER

James E. Bennett
Patented March 22, 1904

On March 22, 1904, James Bennett was granted U.S. Patent No. 755,209 for the "Base Ball Catcher."

In baseball's early years, catchers initially wore little to no protective equipment. As the game evolved, and more pitchers began throwing overhand, catchers needed better equipment to protect themselves.

Bennett's solution was a patented rectangular open-wire frame device that was reinforced by slotted walls of wood. Springs at the rear of the device were put into place to protect the catcher's chest from the blow of each pitch. Once the baseball passed through the front end, the contraption would drop the ball into the catcher's hands so they could throw it back to the pitcher.

SUITER|SWANTZ
intellectual property

www.suiter.com

402.496.0300



JUNE 2020

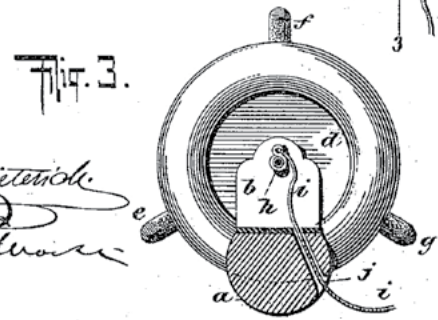
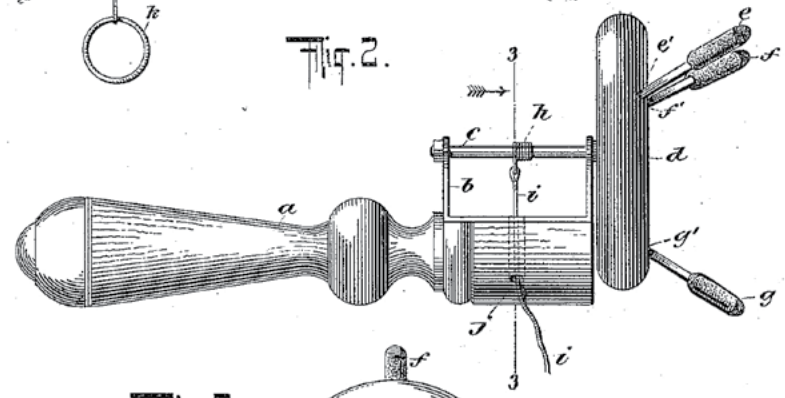
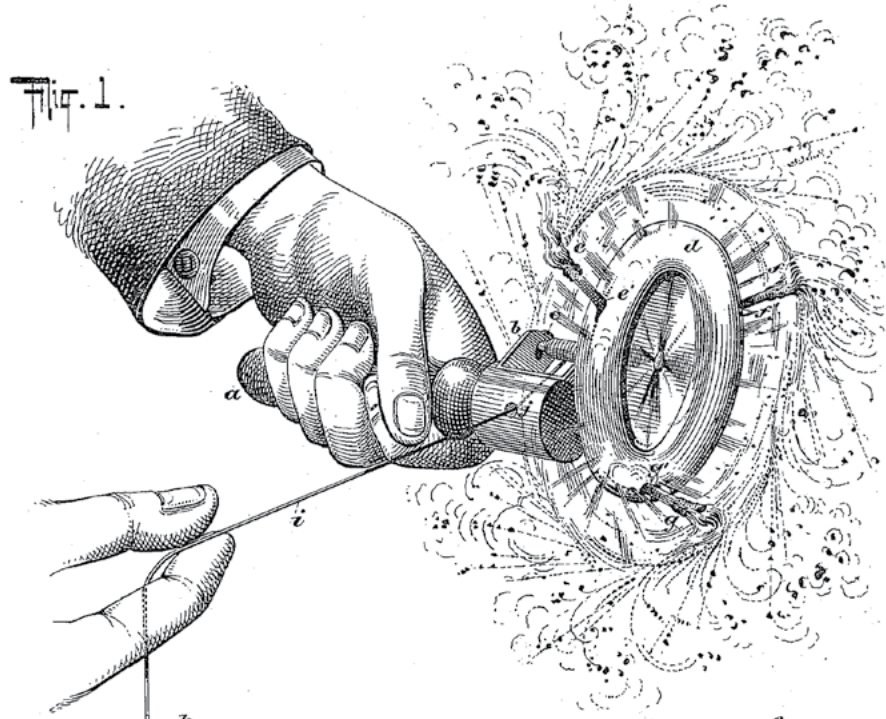
SUNDAY	MONDAY	TUESDAY	WEDNESDAY	THURSDAY	FRIDAY	SATURDAY
	1 "ELECTRIC VOTE RECORDER" - #2,244,204 THOMAS EDISON - 1869	2	3 "BASEBALL GAME APPARATUS" - #2,244,204 FRANK H. KESSLER - 1941	4 "TOY TRUCK" #3,091,888 ROBERT W. PATCH - 1963	5	6
7	8	9 "STEAM MOTOR VEHICLE" #2,244,204 THOMAS EDISON - 1869	10	11	12 "DIAPER WRAP" #2,556,800 M. DONOVAN - 1951	13 "METHOD AND MEANS OF MAGNETIC RECORDING" #2,351,004 M. CAMRAS - 1944
14 "PROCESS OF PRODUCING PAINTS AND STAINS" #1,632,365 - GEORGE WASHINGTON CARVER - 1927	15 "IMPROVEMENT IN INDIA-RUBBER FABRICS" #3,3633 - CHARLES GOODYEAR - 1844	16	17	18 "CLOTH FINISHING" #2,005,517 SANFORD L. CLUETT - 1935	19	20 "TELEGRAPH SIGNS" #1,647 S. B. F. MORSE - 1840
21 Father's Day	22	23 International Women in Engineering Day	24 "IMPROVEMENT IN PRINTING INSTRUMENTS FOR THE BLIND" - #15,164 A. ELY BEACH - 1856	25 "BASKET BALL" # 1,718,305 GEORGE L. PIERCE - 1929	26 "MONOCYCLE" #521,786 JOHN W. FINCH - 1894	27
28	29 "SULKY-PLOWS" #164,929 G. MOORE - 1875	30 "BIFOCAL LENS" #1,102,008 A. J. CROSS - 1914				

No. 638,416.

Patented Dec. 5, 1899.

A. J. LUTZ.
TOY FIREWORKS.
(Application filed Mar. 17, 1899.)

(No Model.)



WITNESSES:
Gustav Dietrich
Ed. Elmer

INVENTOR
Albert J. Lutz
BY *Brisson & Knauth*
ATTORNEYS

#638,416 TOY FIREWORKS

Albert J. Lutz
Patented December 5, 1899

On December 5, 1899, Albert J. Lutz was granted U.S. Patent No. 638,416 for "Toy Fireworks."

Lutz's invention was a device for exhibiting pyrotechnic effects by the use of "a rotary body, means for securing fusees or fireworks thereto, and a motive device for rotating the said rotary body in a continuous manner."

SUITER|SWANTZ

intellectual property

www.suiter.com

402.496.0300



JULY 2020

SUNDAY	MONDAY	TUESDAY	WEDNESDAY	THURSDAY	FRIDAY	SATURDAY
			1	2	3	4 Independence Day
5 "ELECTRONIC SLOT MACHINE" - #7,972,210 LEO A. GALLAGHER - 2001	6	7 "MEANS FOR UNITING A SCREW WITH A DRIVER" #2,046,837 HENRY F. PHILLIPS - 1936	8	9 "LIFE EXPECTANCY TIMEPIECE" - #5,031,161 DAVID KENDRICK - 1991	10	11 "BARBECUE VESSEL" #3,330,266 G. A. STEPHEN - 1966
12 "MUSICAL INSTRUMENT" #765,019 AUGUST LARSON - 1904	13	14 "IMPROVEMENT IN TAPE MEASURES" - #79,965 ALVIN J. FELLOWS - 1868	15 "SAFETY HAT" #1,770,376 EDWARD W. BULLARD - 1930	16	17 "TOOTH REGULATOR" #523,192 E. H. ANGLE - 1894	18 "SNARE DRUM" - #2,166,733 HENRY H. SLINGERLAND 1939
19	20	21 "HYDRANT" - #734,251 ARTHUR O. BABENDREIER 1903	22 "MONOPHONIC TOUCH SENSITIVE KEYBOARD" #4,213,367 ROBERT A. MOOG - 1980	23 "UMBRELLA" #1,033,651 - J. AHERN & L. FREDERICK - 1912	24 "ATHLETIC SHOE" #1,462,625 J. T. RIDDELL - 1923	25
26 "PORTABLE, ELECTRONIC KEYBOARD MUSICAL INSTRUMENT" - #349,127 PRINCE R. NELSON - 1994	27 "UMBRELLA HAT" #5,031,161 J. P. KWAKE - 1954	28	29	30	31 "SYSTEMS AND METHODS FOR DECODING CARD SWIPE SIGNALS" - #8,231,055 SAM WEN - 2012	

Oct. 18, 1932.

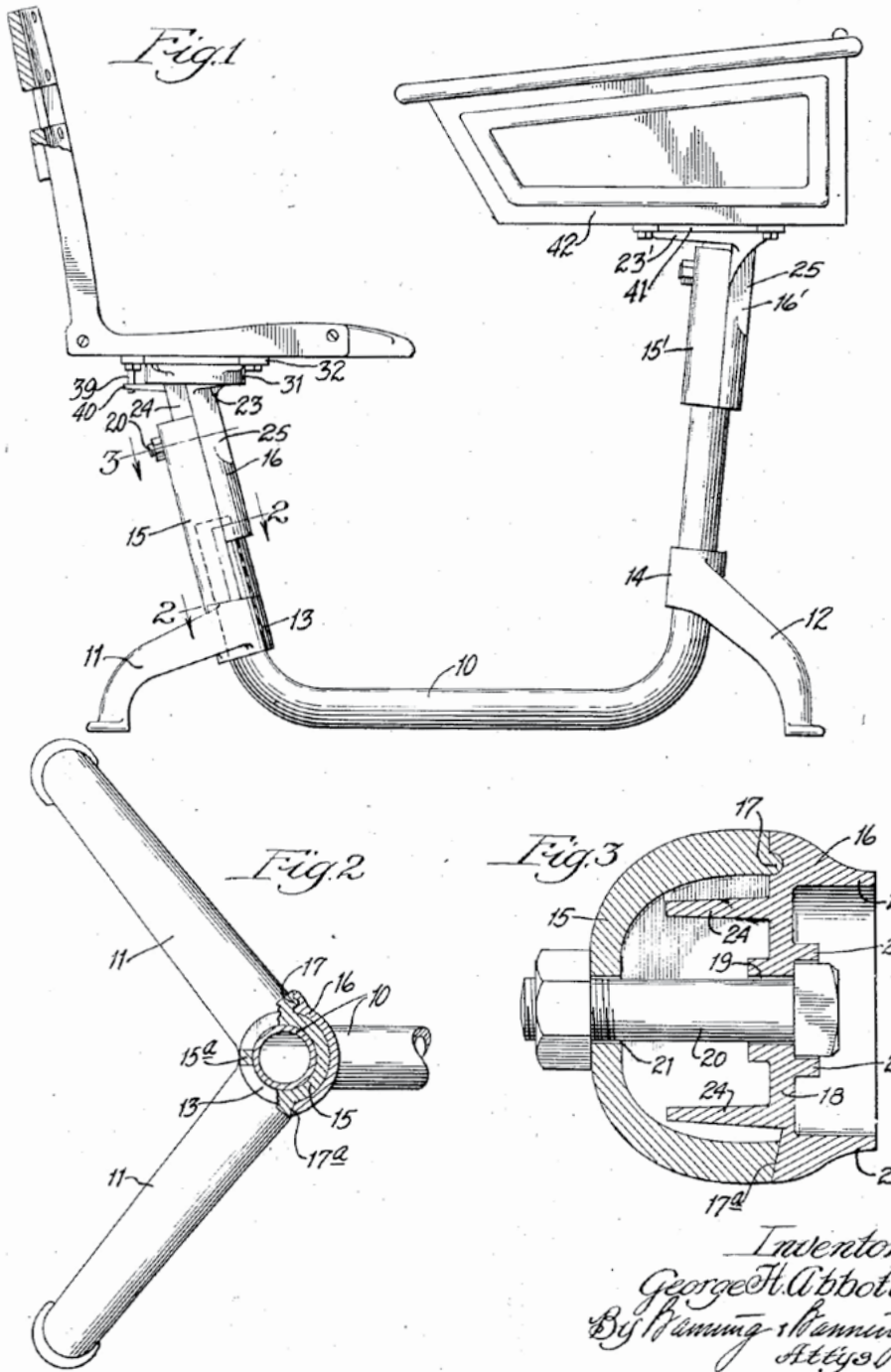
G. H. ABBOTT

1,883,322

COMBINED DESK AND SEAT

Filed April 30, 1930

2 Sheets-Sheet 1



#1,883,322

COMBINED DESK AND SEAT

George H. Abbott

Patented October 18, 1932

On October 18, 1932, George H. Abbott was granted U.S. Patent No. 1,883,322 for the "Combined Desk and Seat."

This desk, known as the "Adjustable School Desk," permitted students to make vertical adjustments of the desk and the seat. It also allowed the student to swivel their chair from side-to-side.

SUITER|SWANTZ
intellectual property

www.suiter.com

402.496.0300

Inventor:
George H. Abbott,
By *Hanning Hanning*
Attys



AUGUST 2020

SUNDAY	MONDAY	TUESDAY	WEDNESDAY	THURSDAY	FRIDAY	SATURDAY
						1
2	3 <u>"FUEL"</u> #27,483 E. B. A. ZWOYER - 1897	4	5 <u>"IMPROVEMENT IN MACHINE GUNS"</u> - #218,190 HELGE PALMCRA NTZ - 1879	6 <u>"CATHODE RAY TUBE"</u> #2,010,712 W. D. COOLIDGE - 1935	7	8 <u>"VEHICLE TIRE"</u> #1,000,000 F. H. HOLT ON - 1911
9 <u>"INTERNAL COMBUSTION ENGINE"</u> - #608,845 R. DIESEL - 1898	10	11 <u>"SECRET COMMUNICATION SYSTEM"</u> - #2,292,38 H. K. MARKEY - 1942	12 <u>"METHOD OF PREPARING FOOD PRODUCT"</u> #1,773,079 C. BIRDSEYE - 1930	13	14 <u>"SPACE SUIT"</u> #3,751,727 GRANTED TO NASA - 1973	15
16	17	18 <u>"HELMET"</u> #2,293,308 J. T. RIDDELL SR. - 1942	19	20	21	22 <u>"NAVIGATIONAL INSTRUMENT"</u> - #2,519,603 G. REBER - 1945
23 "PHONOGRAPH RECORD" #2,950,116 P. C. GOLDMARK - 1960	24 <u>"KINETOGRAPHIC CAMERA"</u> - #589,168 THOMAS EDISON - 1897	25	26	27	28 <u>"BREAD FASTENING MACHINE"</u> - #1,682,581 O. F. ROHWEDDER - 1926	29
30	31					

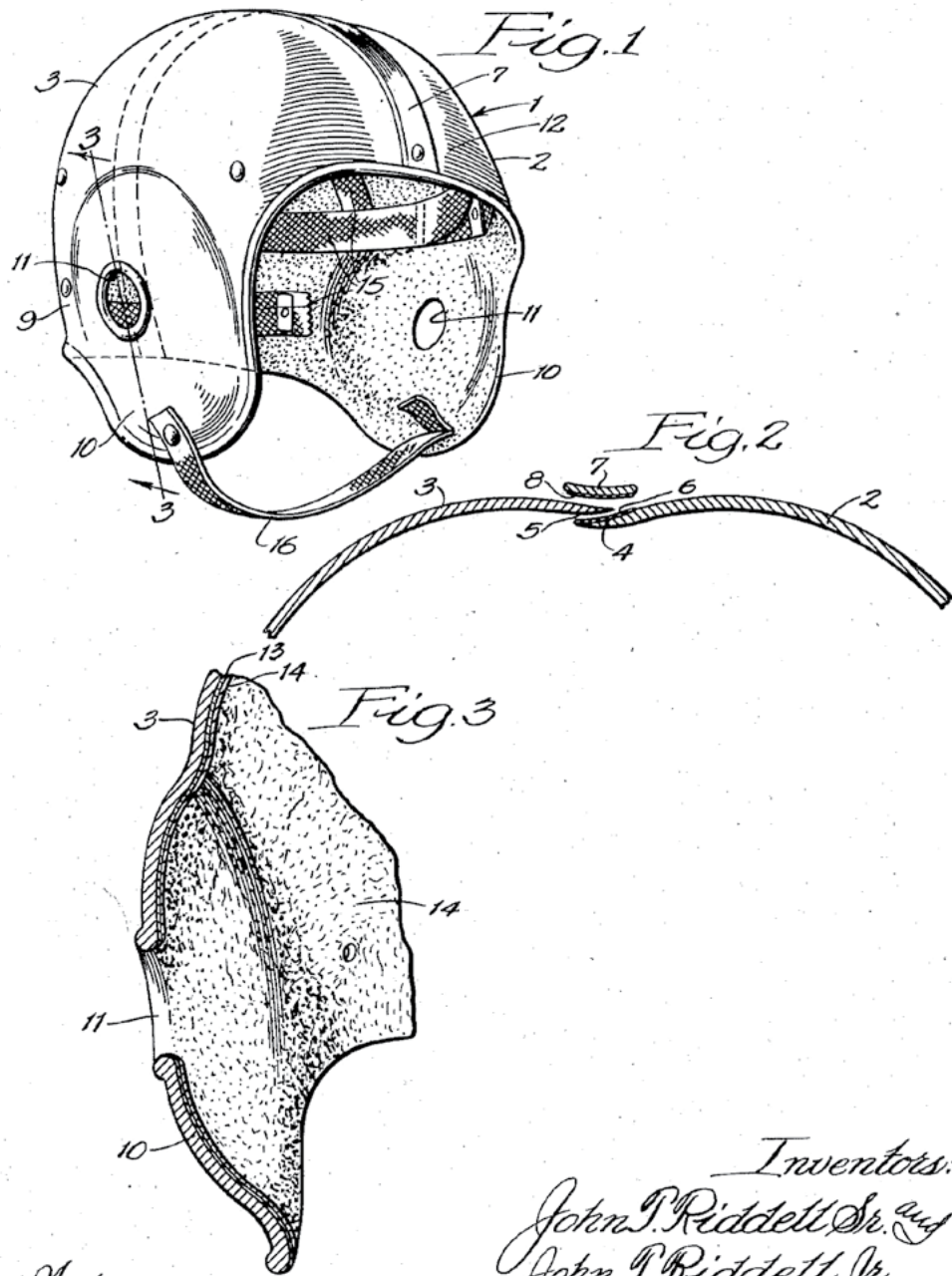
Aug. 18, 1942.

J. T. RIDDELL, SR., ET AL

2,293,308

HELMET

Filed April 11, 1940



Witnesses:
 Co. Snow
 H. J. [Signature]

Inventors:
 John T. Riddell, Sr. and
 John T. Riddell, Jr.,
 By [Signature] [Signature] & Davis
 Attorneys.

#2,293,308

HELMET

J. T. Riddell Sr.

Patented August 18, 1942

On August 18, 1942, John T. Riddell was granted U.S. Patent No. 2,293,308 for improvements in Helmets.

Riddell invented the first plastic suspension helmet in 1939. Riddell's helmet replaced the soft leather helmets formally used with a plastic shell and webbed suspension that could absorb some of the impact to the head when a player was struck on the field.

Riddell exclusively outfitted all NFL teams (with the exception of the New England Patriots) from the mid-1970s to 2013. In the hopes of encouraging innovation and prevention of head injuries, the NFL revoked Riddell's exclusive branding rights as "the official helmet of the NFL" at the end of the 2013 season.

SUITER|SWANTZ
 intellectual property

www.suiter.com

402.496.0300



SEPTEMBER 2020



SUNDAY	MONDAY	TUESDAY	WEDNESDAY	THURSDAY	FRIDAY	SATURDAY
		<p>1</p> <p>“HAIR DRIER” #1,821,525 EMANUEL NIELSEN - 1931</p>	<p>2</p>	<p>3</p>	<p>4</p> <p>“CAMERA” #388,850 G. EASTMAN - 1888</p>	<p>5</p> <p>“GAS FIRED BARBECUE KETTLE” - #3,688,758 GEORGE A. STEPHEN - 1972</p>
<p>6</p>	<p>7</p> <p>Labor Day</p>	<p>8</p> <p>“BASKETBALL GOAL” #2,053,635 ALVIE E. SANDEBURG - 1936</p>	<p>9</p>	<p>10</p>	<p>11</p> <p>“METAL ROLLS FOR PAINT” #2,252 JOHN RAND - 1841</p>	<p>12</p>
<p>13</p> <p>“VELVET TYPE FABRIC AND METHOD OF PRODUCING SAME (Velcro®)” #2,717,437 G. DE MESTRAL - 1955</p>	<p>14</p>	<p>15</p> <p>“HINGED CONNECTOR FOR MULTI-PART CONSTRUCTION TOY” - #7,588,476 ERIC HAMMOND - 2009</p>	<p>16</p>	<p>17</p> <p>“CALCULATING APPARATUS” #3,402,285 AN WANG - 1968</p>	<p>18</p>	<p>19</p>
<p>20</p> <p>“SYNTHETIC FIBER” #2,130,948 - WALLACE H. CAROTHERS - 1938</p>	<p>21</p> <p>“TETHERED BALL BATTING PRACTICE APPARATUS” #5,246,226 DANNY L. MCGUINN - 1938</p>	<p>22</p>	<p>23</p>	<p>24</p> <p>1877 U.S. Patent Office Fire</p>	<p>25</p>	<p>26</p> <p>“TYPE-WRITING MACHINE” #633,672 - HERMAN L. & FRANZ X. WAGNER - 1899</p>
<p>27</p> <p>“AMPHIBIAN AIRCRAFT” #1,879,716 IGOR SIKORSKY - 1932</p>	<p>28</p> <p>“CARPET SWEEPER AND CLEANER” - #935,558 JAMES M. SPANGLER - 1909</p>	<p>29</p>	<p>30</p> <p>“PROPELLING DEVICE FOR ELECTRIC CARS” #437,428 THOMAS EDISON - 1890</p>			

J. SHANNON.
Coffins.

No. 212,273.

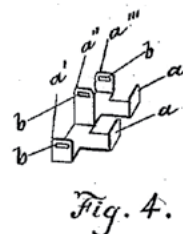
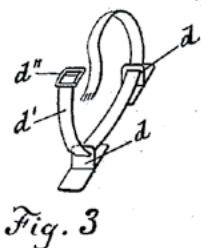
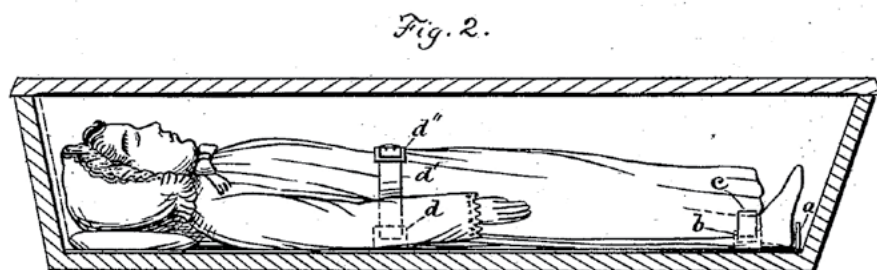
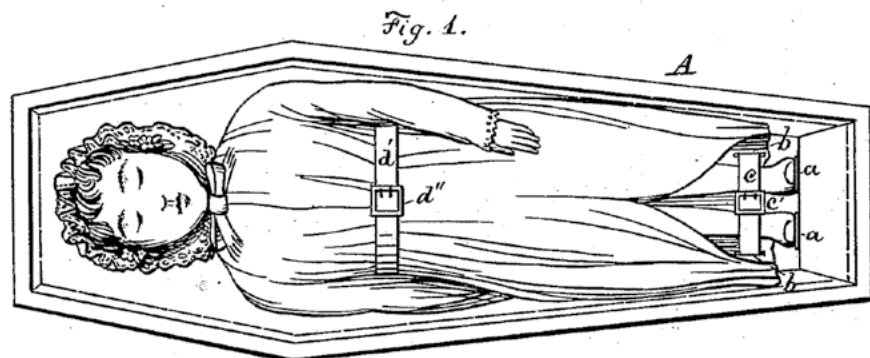
Patented Feb. 11, 1879.

#212,273

COFFINS

J. Shannon

Patented February 11, 1879



On February 11, 1879, James Shannon was granted U.S. Patent No. 212,273 for improvements in Coffins.

Shannon created a fastener inside coffins to “prevent the displacement of the corpse in a coffin during the transfer of the remains down a flight of steps or stairway to the ground floor of a house when the corpse is apt to slip to the lower end of the coffin and to steady the remains in the casket while in the hearse and on the route to the cemetery or place of interment.”

While Shannon’s belt fastener was useful for keeping a corpse in a coffin, his patent also noted that the fastener “aims to frustrate the efforts of persons who, from motives of cupidity, attempt to remove the remains from the grave.”

Witnesses :

G. B. Towles
H. A. Daniels.

Inventor :

James Shannon
by E. H. M. Howard
Attorney

SUITER|SWANTZ
intellectual property

www.suiter.com

402.496.0300



OCTOBER 2020

SUNDAY	MONDAY	TUESDAY	WEDNESDAY	THURSDAY	FRIDAY	SATURDAY
				1	2	3 "PNEUMATIC CARPET RENOVATOR" - #634,042 J. S. THURMAN - 1899
4 "ELECTROLUMINESCENT DIAL FOR ANALOG WATCH" #4,775,964 - R. D. ALESSIO & FRANK OLSEN - 1988	5	6 <u>"ELECTROPHOTOGRAPHY"</u> #2,297,691 <u>CHESTER F. CARLSON - 1988</u>	7 "CLASSIFYING APPARATUS AND METHOD" - #2,612,994 N. J. WOODLAND - 1952	8 "COFFIN-TORPEDO" #208,672 P. K. CLOVER - 1878	9 "SEWING MACHINE" #13,662 I. M. SINGER - 1855	10
11	12 "ROTARY FOOD PROCESSING APPARATUS" #3,985,304 CARL G. SONTHEIMER -1976	13	14 "POSTAGE STAMP DEVICE" #710,997 A. H. PITNEY - 1902	15	16 "TOILET ARTICLE" #1,470,994 J. B. MASON JR - 1923	17
18 "BREAD TOASTER" #1,394,450 C. P. STRITE - 1921	19	20 "TELEVISION APPARATUS" #2,299,328 R. D. KELL - 1942	21	22 <u>"COMPOSITE PROSTHETIC FOOT AND LEG" - #4,547,913</u> <u>VAN L. PHILLIPS - 1985</u>	23	24 <u>"TOY BUILDING BRICK" (LEGO) - #3,005,282</u> <u>G. K. CHRISTIANSEN - 1961</u>
25	26 <u>"METHOD AND MEANS FOR CREATING ANTI-GRAVITY ILLUSION" - #5,255,452</u> <u>MICHAEL J. JACKSON - 1993</u>	27	28 "SINGLE HANDLE WATER FAUCET" - #3,915,195 ALEX MANOOGIAN AND ERIC V. PULLEN - 1975	29	30 "PEN" #392,046 J. J. LOUD - 1888	31 Halloween

PATENTED JAN 8 1974

3,784,069

#3,784,069 TURKEY AND ROAST LIFTER SLING

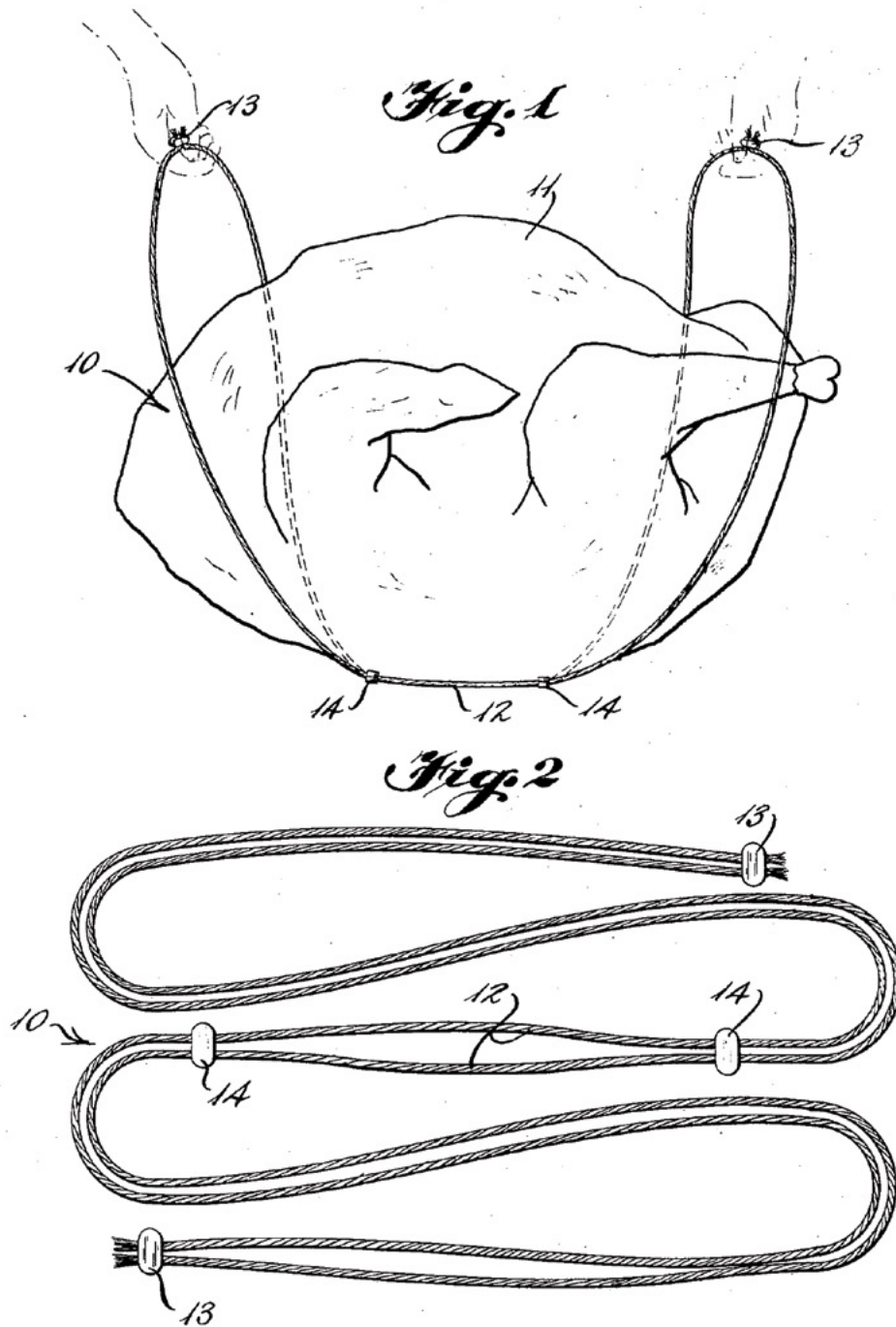
John F. Stoffel

Patented January 8, 1974

On January 8, 1974, John F. Stoffel was granted U.S. Patent No. 3,784,069 for the "Turkey and Roast Lifter Sling."

This invention is a simple sling that has a center point and loops to grab on each end. This allows the cook to easily lift and lower the turkey into the roaster.

The patent also notes that "the sling's material will not cause damage to carving tools; thus, the sling enables the cook to easily dispose of the remains after the turkey is carved."



SUITER|SWANTZ
intellectual property

www.suiter.com

402.496.0300



NOVEMBER 2020



SUNDAY	MONDAY	TUESDAY	WEDNESDAY	THURSDAY	FRIDAY	SATURDAY
1	2	3	4 "MACHINE GUN" #36,836 RICHARD J. GATLING - 1862	5 "NOISE REDUCTION SYSTEMS" - #3,846,719 RAY MILTON DOLBY - 1974	6 "SHAVING IMPLEMENT" #1,690,133 JACOB SCHICK - 1928	7
8	9	10 "WINDOW CLEANING" #743,801 M. ANDERSON - 1903	11 Veterans Day	12	13	14
15 "RAILWAY TELEGRAPHY" #373,383 G. T. WOODS - 1887	16	17 "BUOYANT CHAIR" #1,562,276 A. ASSENZIO - 1925	18 "SKATEBOARD" #4,234,204 KERRY W. TIBBALS - 1980	19	20 "WHIRLIGIG" (YO YO) - #59,745 JAMES L. HAVEN & CHARLES HETTRICK - 1866	21 "DOLL CONSTRUCTION" (BARBIE) - #3,009,284 J. W. RYAN - 1961
22 "GUITAR" #2,960,900 CLARENCE FENDER - 1960	23 "ENGINE CONSTRUCTION" #1,360,110 WILLIAM S. HARLEY - 1960	24 "WIRE FENCES" #157,124 J. F. GLIDDEN - 1874	25	26 Thanksgiving	27 "IMPROVEMENT IN CANNON" - #13,851 ALFRED KRUPP - 1855	28
29	30 "GLASS JAR" #22,186 J. L. MASON - 1858					

#5,523,741

SANTA CLAUS DETECTOR

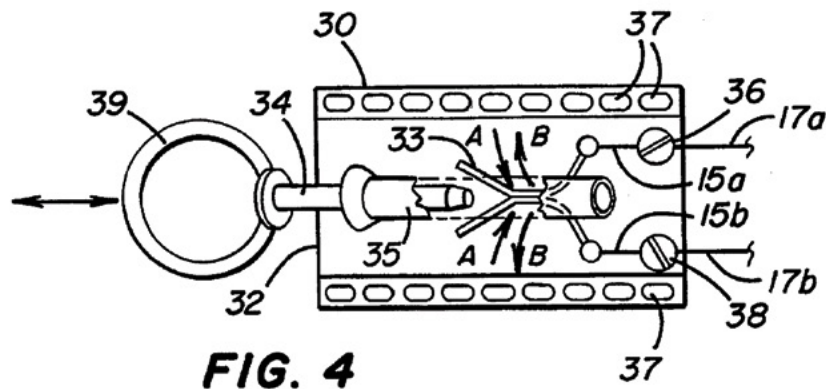
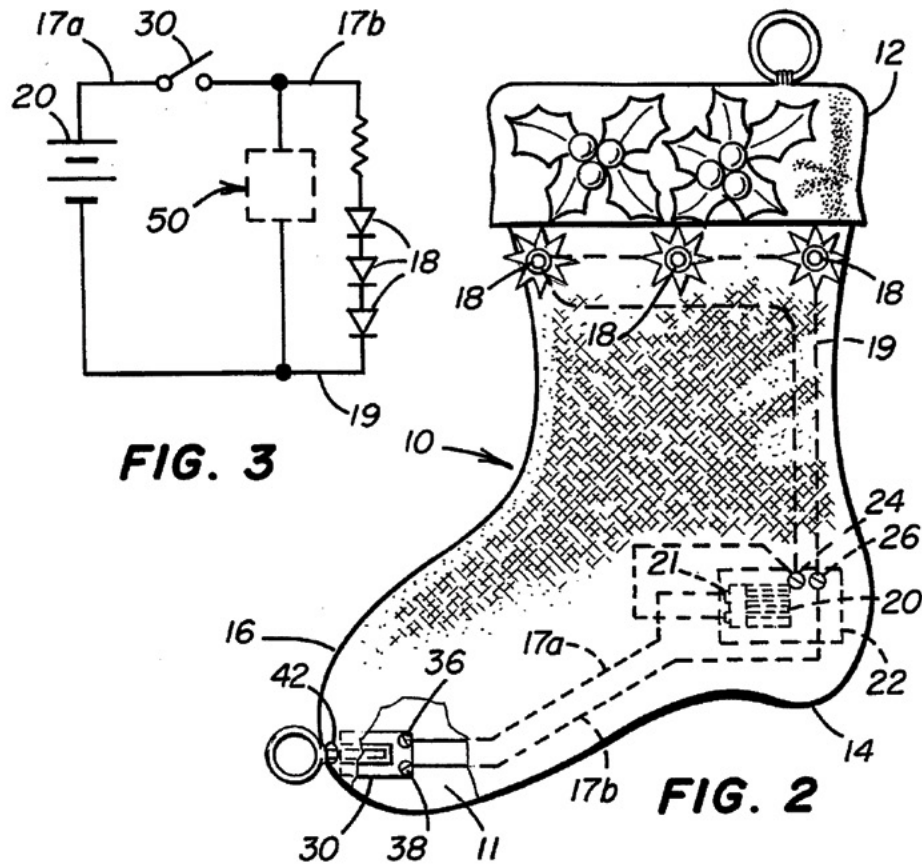
Thomas Cane

Patented June 4, 1996

On June 4, 1996, Thomas Crane was granted U.S. Patent No. 5,523,741 for the "Santa Claus Detector."

Crane created the detector as a way of alerting children that Santa had made a visit to their home.

According to the patent, each stocking loop is tied to the fireplace mantle bow, so when Santa comes down the chimney he will detach the loop and set off the contraption, illuminating each attached stocking.



SUITER|SWANTZ
intellectual property



DECEMBER 2020



SUNDAY	MONDAY	TUESDAY	WEDNESDAY	THURSDAY	FRIDAY	SATURDAY
		1 "BABY WALKER AND JUMPER" - #16,150 E. Y. ROBBINS - 1856	2 "SHOE FOR ARTISTIC DANCING" - #1,079,941 F. HENSCHEL - 1913	3	4 "KEYRING POCKET PEN" #4,974,982 THOMAS W. NIELSON - 1990	5
6	7 "PERISCOPE" #1,361,358 CHARLES H. BEDELL - 1920	8	9 "CARBON TELEPHONE" #222,390 THOMAS EDISON - 1879	10	11 "PULLING-OVER MACHINE" #663,777 R. F. MCFEELY - 1900	12
13	14	15 "MOLD" - #746,971 (ICE CREAM CUP MOLD) ITALO MARCHIONY - 1903	16 "STETHOSCOPE" #8,591 NATHAN B. MARSH - 1851	17 "AIRPLANE" #2,225,094 DONOVAN R. BERLIN - 1940	18 "MISTLETOE SUPPORTING HEADBAND" - #4,488,316 RONALD J. MOSCA - 1984	19
20 "CHEMICAL LIGHT DEVICE" #4,064,428 - RICHARD TAYLOR VAN ZANDT - 1977	21 "RODEO TRAINING DEVICE" #3,997,979 JOEL D. TURNER - 1976	22	23 "MAGNETO-ELECTRIC MACHINE" - #222,881 THOMAS EDISON - 1879	24 Christmas Eve	25 Christmas	26 "FLYING SAUCER" (FRISBEE) - #3,359,678 EDWARD E. HEADRICK -1967
27 "ELECTRICAL DISCHARGE DEVICE" - #1,892,244 IRVING LANGMUIR & KENNETH H. KINGDON -1932	28	29	30	31 New Year's Eve		

SUITER|SWANTZ
intellectual property

Suiter Swantz IP is a full-service intellectual property law firm providing client-centric patent, trademark, and copyright services.

We understand the importance of protecting your innovation and can help guide you through the IP landscape in a manner that minimizes cost while maximizing value.

For more than 25 years, our firm has helped a variety of organizations ranging from individual inventors and early-stage startups to international multi-billion-dollar corporations navigate the complex landscape of intellectual property procurement and protection.

If you need assistance with an intellectual property matter and would like to speak with one of our patent attorneys, please contact us at info@suiter.com.



Suiter Swantz Intellectual Property
Patents | Trademarks | Copyrights

14301 FNB Pkwy, Suite 220
www.suiter.com

Omaha, NE 68154
402.496.0300