

E. J. McKEY,
BILL HOLDER.
APPLICATION FILED DEC. 30, 1918.

1,326,602.

Patented Dec. 30, 1919.

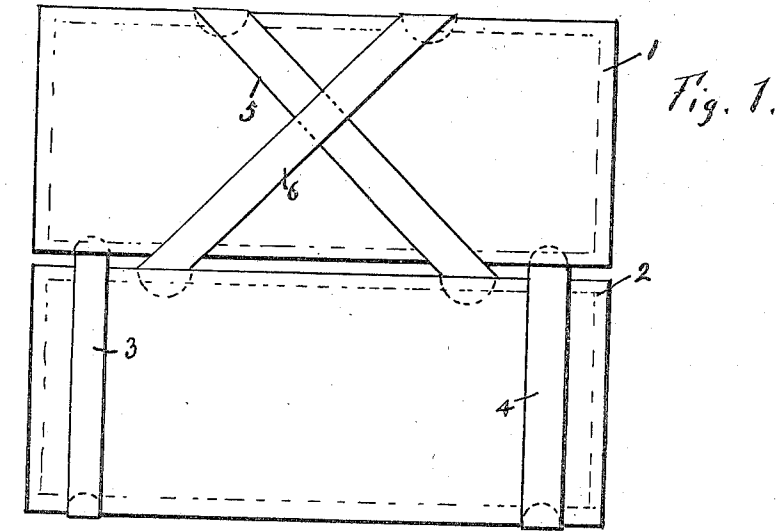


Fig. 1.

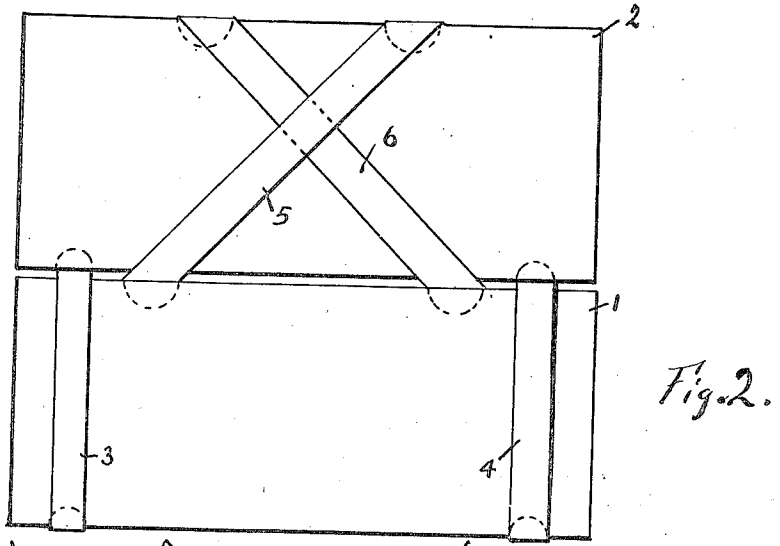


Fig. 2.

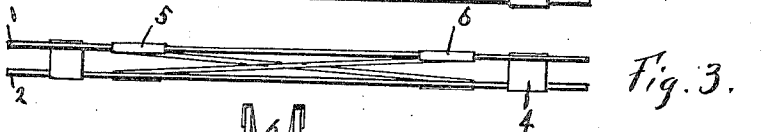


Fig. 3.

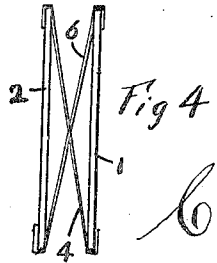


Fig. 4

INVENTOR
E. J. McKey

BY

Charles P. Griffin
ATTORNEY

UNITED STATES PATENT OFFICE.

EMMETT J. McKEY, OF SAN FRANCISCO, CALIFORNIA.

BILL-HOLDER.

1,326,602.

Specification of Letters Patent.

Patented Dec. 30, 1919.

Application filed December 30, 1918. Serial No. 268,820.

To all whom it may concern:

Be it known that I, EMMETT J. McKEY, citizen of the United States, residing at San Francisco, in the county of San Francisco, State of California, have invented a new and useful Bill-Holder, of which the following is a specification in such full and clear terms as will enable those skilled in the art to construct and use the same.

10 This invention relates to a bill book and its object is to provide a carrier for currency which will hold the currency flat and securely; and which is easily opened and closed for the removal of the bills.

15 Other objects of the invention will appear as the description proceeds.

An embodiment of the invention is shown in the drawings in which the same reference numeral is applied to the same portion throughout, but I am aware that there may be modifications thereof.

Figure 1 shows the bill book open;

Fig. 2 shows the bill book open in the opposite direction from Fig. 1,

25 Fig. 3 is an edge view of the bill book as it appears with the sides pulled apart slightly to show the location of the bill holding tapes, and

30 Fig. 4 is an end elevation of the bill book looking from the right, Fig. 3, and with the sides pulled slightly farther apart than in Fig. 3.

The carrier comprises two stiff backs 1 and 2. These backs are connected by means of four tapes two of which are indicated at 3 and 4 extending at right angles to the backs, and are connected therewith near the ends of the backs. The other two tapes extend diagonally across the backs as shown at 5 and 6 and are connected to the backs on the edges opposite from the connections of the tapes 3 and 4.

45 The result of the foregoing construction is that the diagonal tapes 5 and 6 hold the two backs against relative longitudinal motion with respect to each other, and the two tapes 3 and 4 hold them firmly transversely while permitting them to hinge at both edges with the result that when opened and a bill placed therein and again opened
50 in the reverse direction, that the bill will be drawn under one side of tapes 5, 6 or

the other. The ends of the bill are always pulled out from under the outer pair of tapes first, and in use, the bills may be added 55 to the bills under either side of the tapes, as may be desired, by placing a bill upon one side or the other side of the cross tapes 5 and 6. For example, if it is desired to add more bills to a given number of bills on one side 60 of the pocket book, it is opened so that the bills will appear held by the ends only as indicated by the dotted line on the lower part of Fig. 1. The bills are then added to the holder and it is shut and opened in the re- 65 verse direction, whereupon all of the bills will be found assembled together. If it is desired to separately assemble the bills, the pocket book is opened so that the cross tapes will be over the bills in the book as in the 70 upper part of Fig. 1. Additional bills may then be inserted and they will be maintained in their separated positions upon all further opening and closing of the book.

When it is desired to remove a bill, it may 75 be easily pulled out from under the tapes.

A particular advantage of this bill holder lies in the fact that it will securely hold one bill or a number of bills, and all that is necessary to secure the bills is to place them 80 between the cover and open it once in the opposite direction.

Having thus described my invention what I claim as new and desire to secure by Letters Patent of the United States is as follows, express reservation being made of permissible modifications:

1. In a bill holder a pair of stiff covers, tapes connected at their opposite ends to the covers to permit the covers to hinge open 90 at either edge, one set of tapes being so connected as to prevent relative longitudinal movement of the covers.

2. A bill holder comprising a pair of stiff covers, transverse tapes hinging the covers 95 together adjacent their ends, and a pair of cross tapes connected with the opposite edges of the cover and hinging them to permit an opposite movement of the covers.

In testimony whereof I have hereunto set 100 my hand this 19th day of December, A. D. 1918.

EMMETT J. McKEY.