



US00D637663S

(12) **United States Design Patent**  
**Boutchee**

(10) **Patent No.:** **US D637,663 S**

(45) **Date of Patent:** **\*\* May 10, 2011**

(54) **STUDENT EXERCISE DESK**

(76) Inventor: **Arthur G. Boutchee**, Santa Ana, CA  
(US)

(\*\*) Term: **14 Years**

(21) Appl. No.: **29/346,041**

(22) Filed: **Oct. 26, 2009**

(51) **LOC (9) Cl.** ..... **21-02**

(52) **U.S. Cl.** ..... **D21/662; D6/495**

(58) **Field of Classification Search** ..... D21/662,  
D21/686, 691, 694, 826; 482/57, 72, 94,  
482/98-99, 101, 104, 148, 163.1, 188, 188.1,  
482/904; D6/329, 480-490, 495; 312/351.3;  
D25/126

See application file for complete search history.

(56) **References Cited**

**U.S. PATENT DOCUMENTS**

D95,970	S	*	6/1935	Laughery	.....	D6/483
2,380,379	A	*	7/1945	Attwood	.....	248/163.1
2,655,387	A	*	10/1953	Cramer	.....	280/43.14
D235,096	S	*	5/1975	Mohr	.....	D25/6

4,309,857	A	*	1/1982	Lovering	.....	52/632
D270,410	S	*	9/1983	Sogoian	.....	D6/480
5,125,608	A	*	6/1992	McMaster et al.	.....	248/163.1
5,257,701	A	*	11/1993	Edelson	.....	211/149
6,248,048	B1	*	6/2001	Zuckerman et al.	.....	482/142
D480,583	S	*	10/2003	Risdall	.....	D6/483
D586,157	S	*	2/2009	Abate et al.	.....	D6/495
7,686,742	B2	*	3/2010	Tischler et al.	.....	482/57

\* cited by examiner

*Primary Examiner* — Susan E Krakower

(74) *Attorney, Agent, or Firm* — Walter A. Hackler

(57) **CLAIM**

The ornamental design for a student exercise desk, as shown and described.

**DESCRIPTION**

FIG. 1 is a perspective view of a student exercise desk in accordance with the present invention; FIG. 2 is a front elevation view of the present invention; and, FIG. 3 is a side elevation view of the present invention, the opposite side being a mirror image thereof. The broken lines illustrate environmental structure showing a desk top and stool which form no part of the claimed design.

**1 Claim, 1 Drawing Sheet**

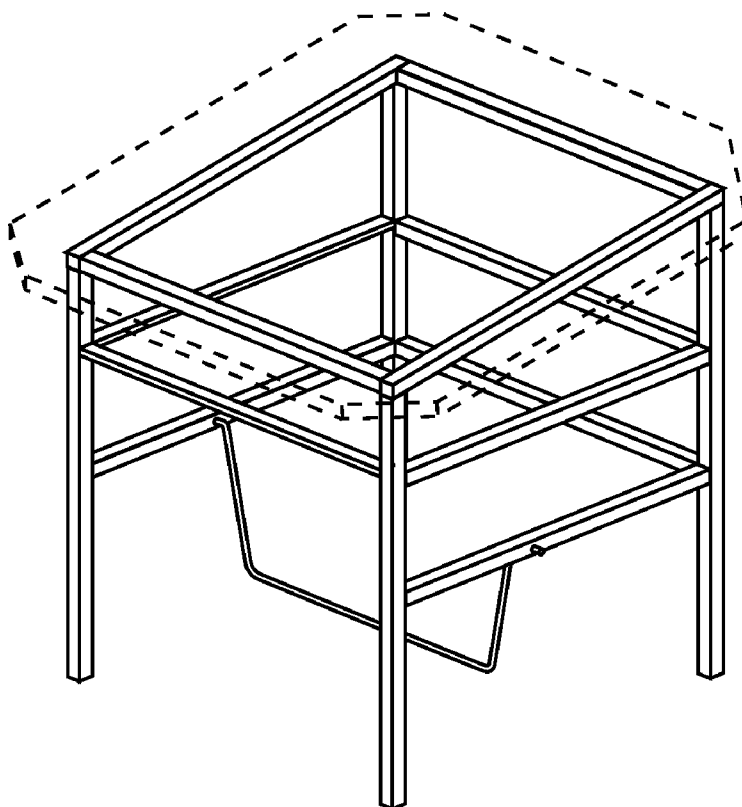


FIG. 1

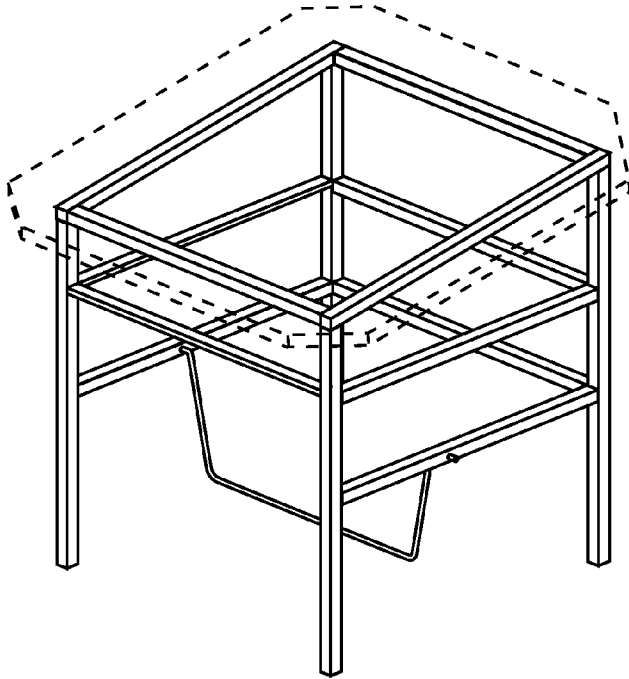


FIG. 2

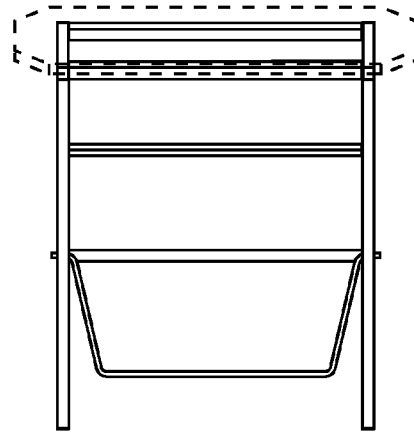


FIG. 3

